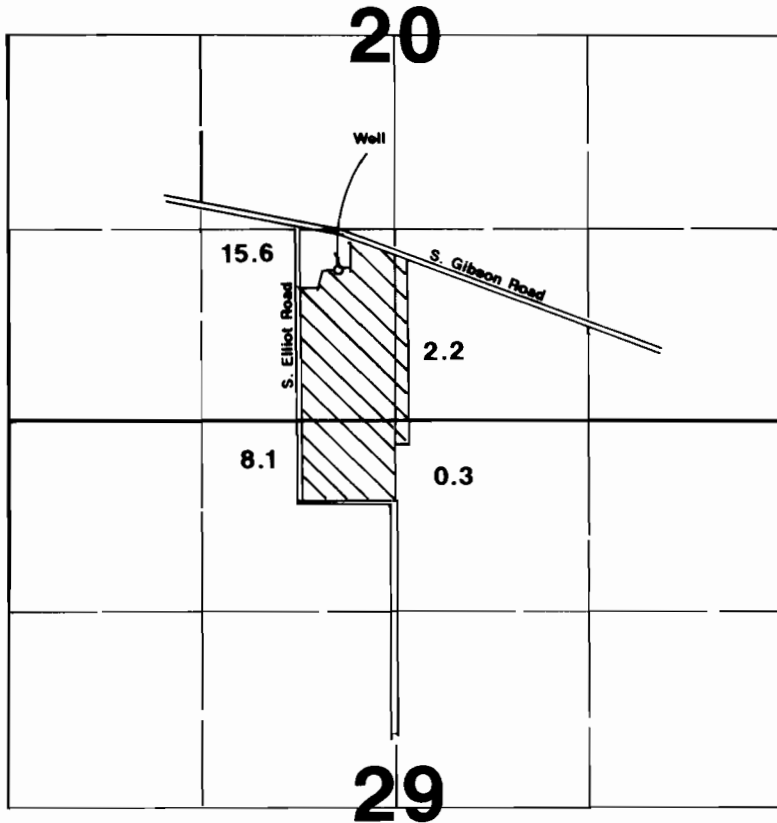


T.5S., R.1E., W.M.



Well located 1020'N & 3000'W from NE corner Section 29.

RECEIVED

AUG 28 1997

WATER RESOURCES DEPT
SALEM, OREGON

Final Proof Survey

Transfer #: T-6960

In Name Of

Fedosey Egoroff

Surveyed on August 21, 1997 by JM Schuette

THIS MAP WAS PREPARED FOR THE PURPOSE OF IDENTIFYING THE LOCATION OF A WATER RIGHT ONLY AND IS NOT INTENDED TO PROVIDE LEGAL DIMENSIONS OR LOCATION OF PROPERTY OWNERSHIP LINES.

