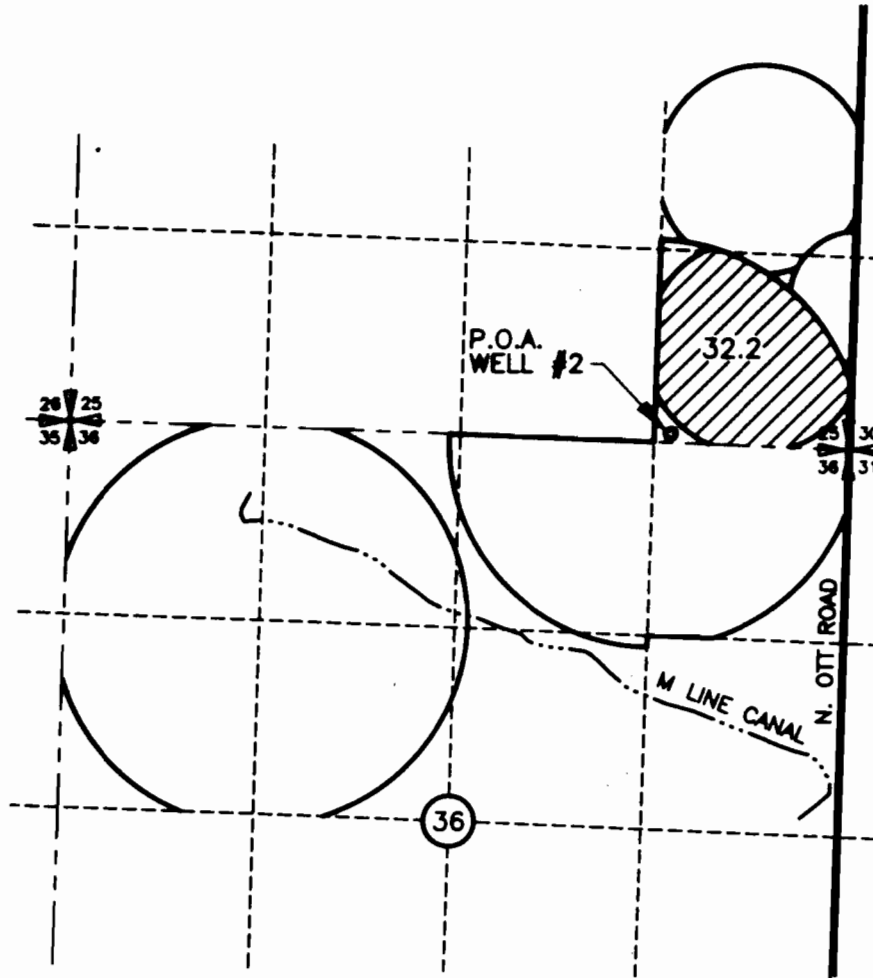


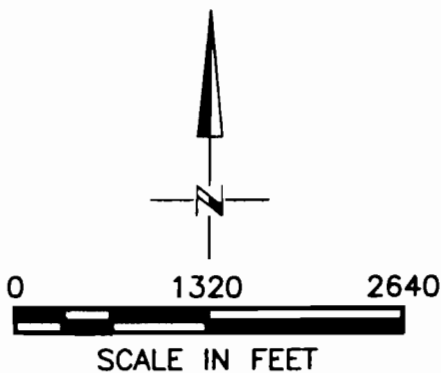
**FINAL PROOF
of PERMIT T-6888
for CHARLES A BLOODSWORTH
T5N, 528E WM**



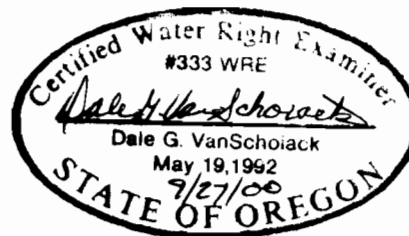
POINT OF APPROPRIATION
WELL #2 LOCATED 60' NORTH AND
1210' WEST OF THE SE CORNER SEC. 25



32.2 ACRES
AREA INVOLVED IN THIS FINAL PROOF
FOR CHANGE IN APPROPRIATION



NOTE:
THE PURPOSE OF THIS MAP IS TO IDENTIFY THE APPROXIMATE LOCATION
OF THE WATER RIGHT. IT IS NOT INTENDED TO PROVIDE INFORMATION
RELATIVE TO THE LOCATION OF PROPERTY OWNERSHIP BOUNDARY LINES.



RECEIVED

SEP 29 2000

WATER RESOURCES DEPT.
SALEM, OREGON

9/26/00
3522.105
3522FP6888.DWG

SCM
Consultants, Inc.

Architects & Engineers
Kennewick, WA 99336