

FINAL PROOF SURVEY
AND
CLAIM OF BENEFICIAL USE
NEW POINTS OF DIVERSION
LOCATED WITHIN

SW 1/4, NW 1/4 SECTION 16 T.2N., R.32E., W.M.,
UMATILLA COUNTY, OREGON
APPLICANT: EMOGENE HIERSCHE HILL

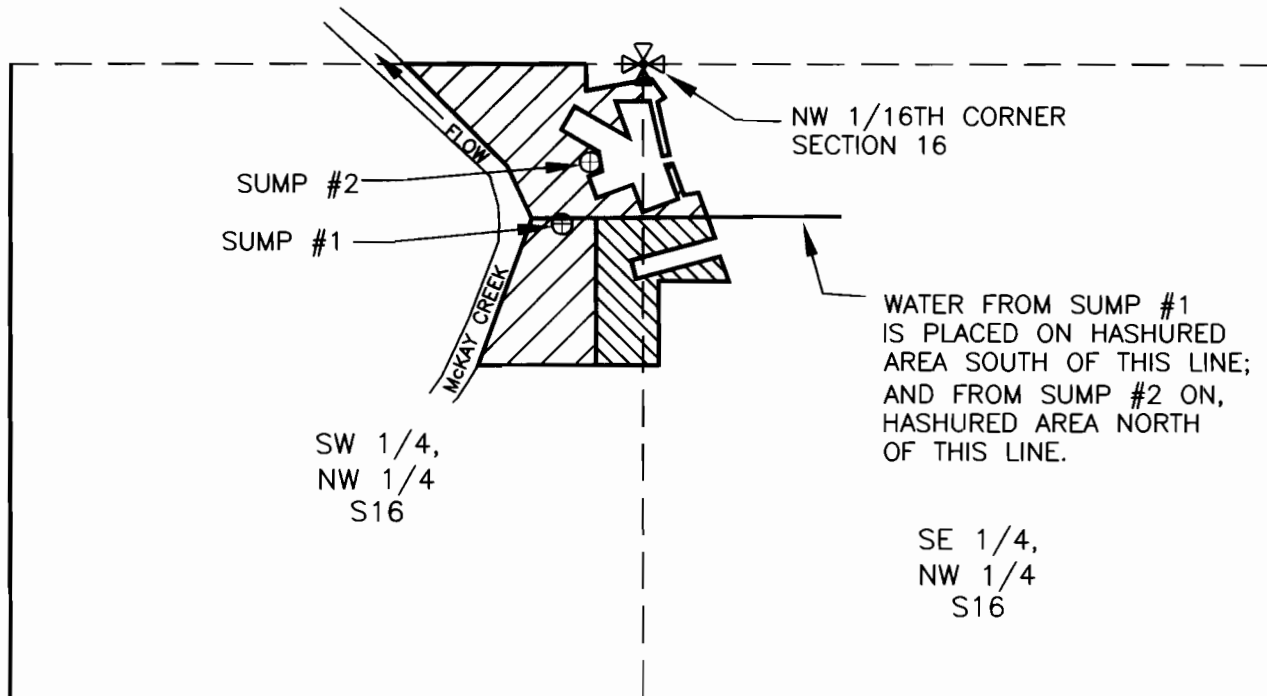
RECEIVED

NOV 19 2003

11:00 AM

TRANSFER 6718

SPECIAL ORDER VOLUME 57, PAGE 195

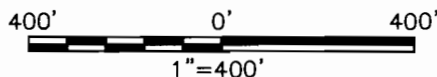


LEGEND

- SECTION LINE
- - - 1/16TH LINE
- ⊕ 1/16TH CORNER
- ⊕ SUMP
- ▨ 1892 PRIORITY DATE
- ▨ 1906 PRIORITY DATE

CORNER TIE:
SUMP #1 IS WITHIN THE SW 1/4, NW 1/4, SECTION 16, T.2N., R.32E., W.M. AND IS 333 FEET SOUTH AND 168 FEET WEST OF THE NW 1/16TH CORNER OF SAID SECTION 16.

SUMP #2 IS WITHIN THE SW 1/4, NW 1/4, SECTION 16, T.2N., R.32E., W.M. AND IS 204 FEET SOUTH AND 110 FEET WEST OF THE NW 1/16TH CORNER OF SAID SECTION 16.



AREA IRRIGATED:

From sump #1:
SW 1/4, NW 1/4
SE 1/4, NW 1/4

Priority 1892

0.64 Acre
0.57 Acre

Priority 1906

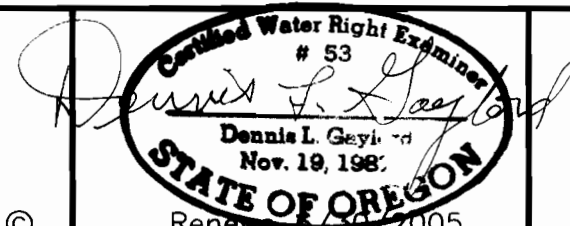
1.06 Acres

From sump #2:
SW 1/4, NW 1/4
SE 1/4, NW 1/4

Priority 1906

1.83 Acres
0.22 Acre

THIS MAP IS PREPARED FOR THE EXPRESS PURPOSE TO SHOW WATER APPROPRIATION AND USE. IT IS NOT INTENDED TO SHOW OR LOCATE PROPERTY OWNERSHIP LINES.



DENNIS L. GAYLORD,
CWRE
71614 S.W. LAKE DRIVE
PENDLETON, OR 97801
(541)-276-6260
NOVEMBER, 2003