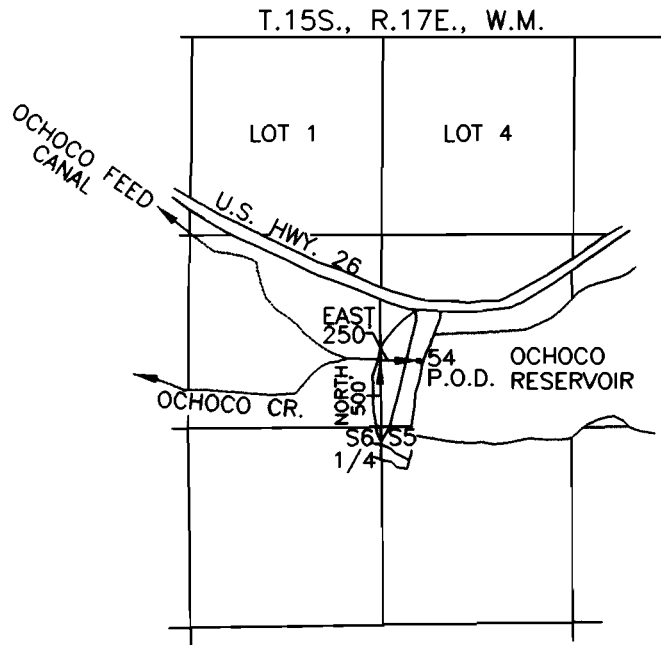
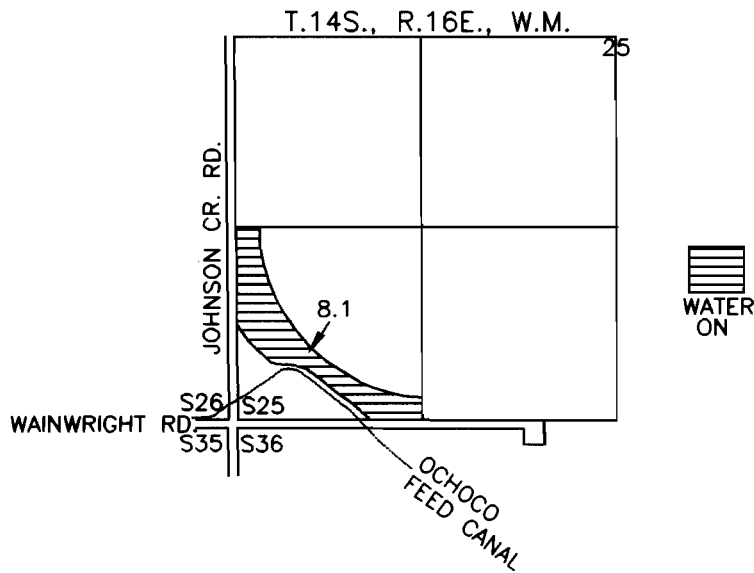
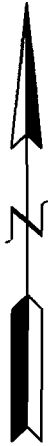


**FINAL PROOF SURVEY
 UNDER T-7604 IN NAME OF
 ELIZABETH B. AND JOHN E. ROSS
 REVOCABLE TRUST DATED OCTOBER 8, 1991**

T - 7604



PREPARED FOR

RECEIVING LANDOWNER
 DR. RONALD W. SPROAT
 1205 NE WYOMING DRIVE
 PRINEVILLE, OR 97754
 (541) 447-1183

69 & 54 RECORD POINT OF DIVERSION - FINAL PROOF SURVEY OF CROOKED RIVER PROJECT. SW1/4 NW1/4, SECTION 5, T.15S., R.17E., W.M.; 500 FEET NORTH AND 250 FEET EAST FROM THE W1/4 CORNER, SECTION 5.

THE PREPARATION OF THIS MAP IS FOR THE PURPOSE OF IDENTIFYING THE LOCATION OF THE WATER RIGHT ONLY AND HAS NO INTENT TO PROVIDE DIMENSIONS OR LOCATIONS OF PROPERTY OWNERSHIP LINES.

RECEIVED

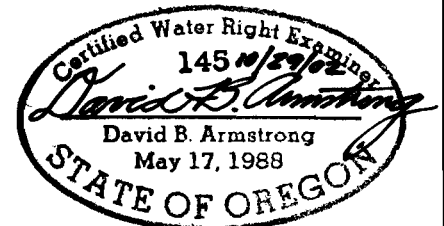
NOV 07 2002

WATER RESOURCES DEPT.
 SALEM, OREGON

**ARMSTRONG SURVEYING
 & ENGINEERING, INC.
 378 NE SECOND ST.
 PRINEVILLE, OR 97754
 (541) 447-7791**

OCTOBER 18, 2002

BY: D.B.A.



W.O. 02-2377

SCALE: 1" = 1320'

Konasa 12/31/03