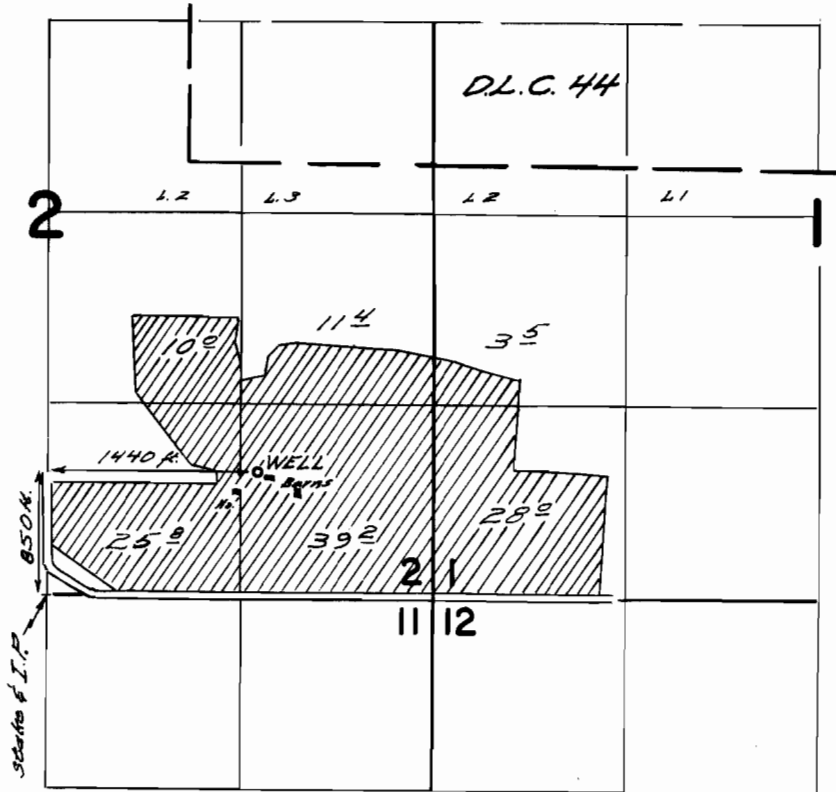


T.9S.R.1W.W.M.



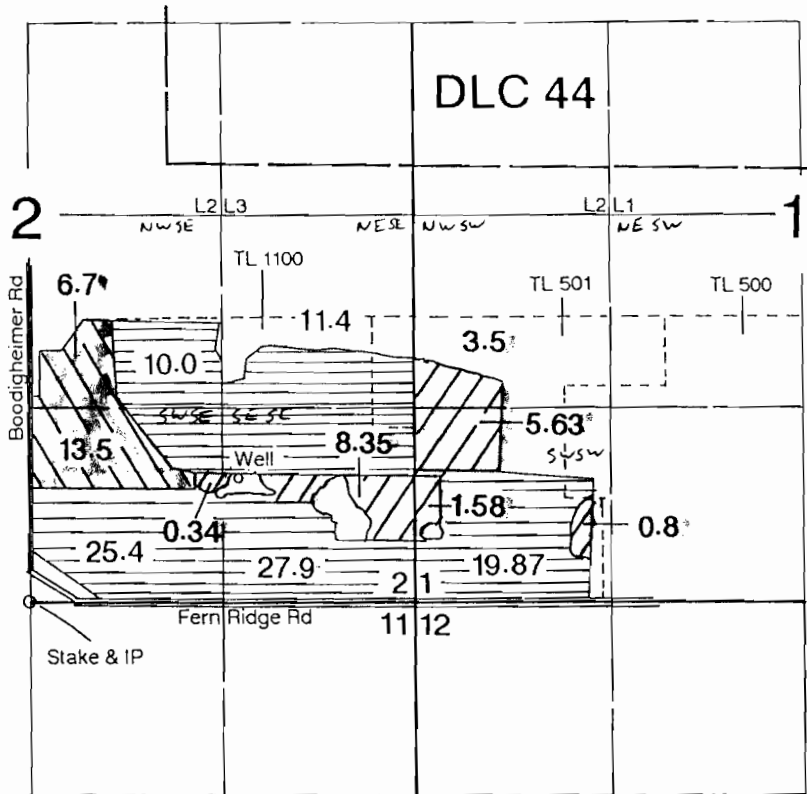
FINAL PROOF SURVEY UNDER

Application No. *G-2321* Permit No. *G-2147*
IN NAME OF

Etzel Brothers

Surveyed *Sept. 18, 1967*, by *W. J. Ruppert*

T.9S., R.1W., W.M.



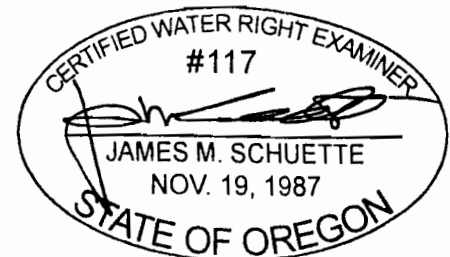
Well is located 850' N & 1440' E from S1/4 of Section 2.

Application Map

Etzel Family Trust

Transfer #: T- 11319

**RECEIVED
COPY**
AUG 28 2012



EXPIRES: 6/30/2014

Revised 8-1-2012

JMS-CWRE

This Map was Prepared for the Purpose of Identifying the Location of a Water Right Only and is Not Intended to Provide Legal Dimensions or Location of Property Ownership Lines

WATER RESOURCES DEPT
SALEM, OREGON