

FINAL PROOF SURVEY

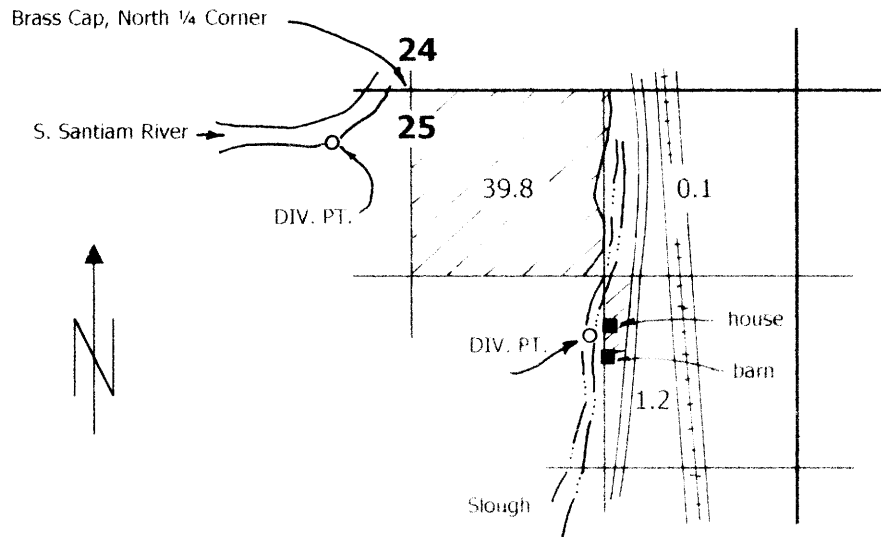
T 11 S R 2 W WM.

NE ¼ SECTION 25

application # 773091 permit # 51923

REC
12-20-13

For: Jim and Kathryn Fleishman



River diversion point location: S 47° 30' W, 625' from the N ¼ corner section 25

Slough diversion point location: S 37° E, 2180' from the N ¼ corner section 25



Scale 1" = 1320'

This map is to be used for water right purposes only.

Don Knauer Consulting
PO Box 5416
Salem, OR 97304
503-585-8474