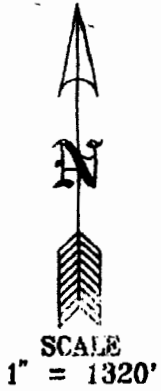
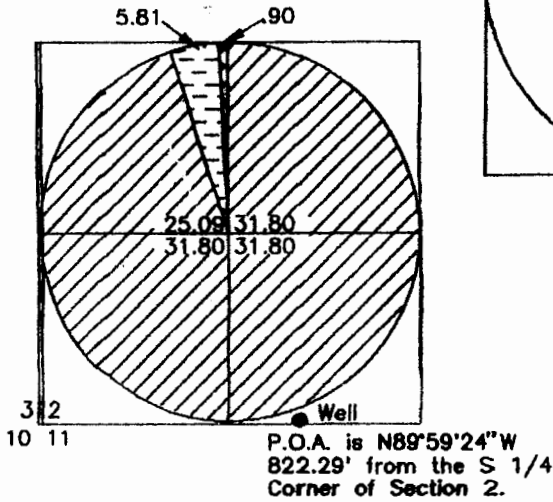


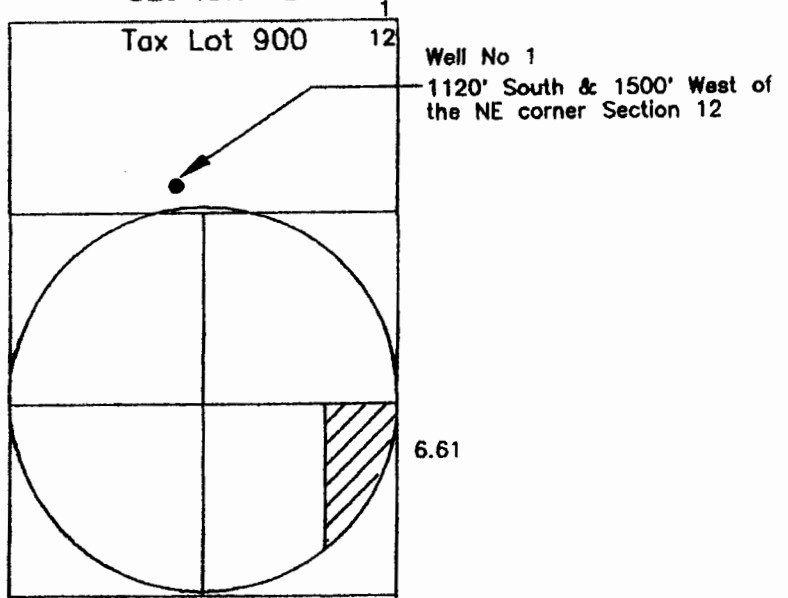
FINAL PROOF MAP  
TRANSFER #8208



T.26S. R.14E., W.M.  
SECTION 2  
Tax Lot 400



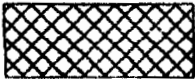
T.26S. R.14E., W.M.  
SECTION 12



6.61 acres transferred from  
Permit G-7361, Certificate 75331



5.81 acres transferred from  
Permit U-472, Certificate 68716



0.90 acres transferred from  
T-3510, Certificate 68717

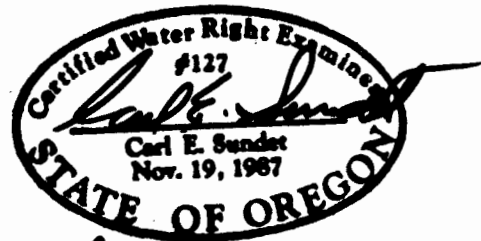


120.49 acres transferred from  
Permit G-7361, Certificate 75331

PREPARED FOR: KEN & KATHY KRUSE  
PREPARED BY: SUNDET & ASSOCIATES  
P.O. BOX 1228  
LAKEVIEW, OR 97630  
(541)947-3293

DR #9498FP

This map is for the purpose of identifying the location of the water right only and is not intended to provide legal dimensions or location of property ownership lines.



*Renews 6/30/02*

**RECEIVED**

AUG 04 2000

WATER COURTS  
STATE OF OREGON