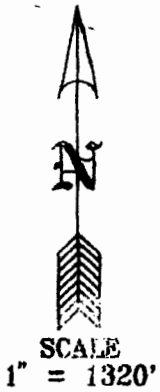
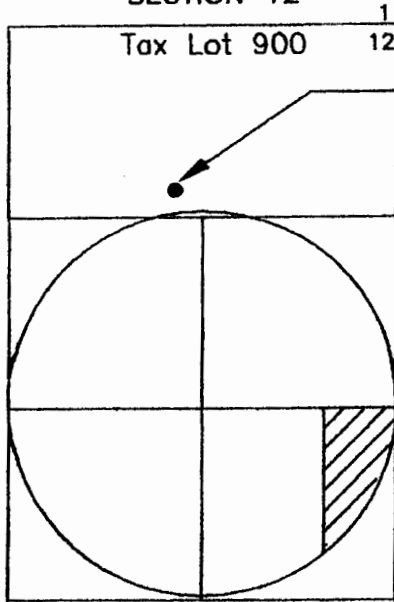


FINAL PROOF MAP
TRANSFER #8208

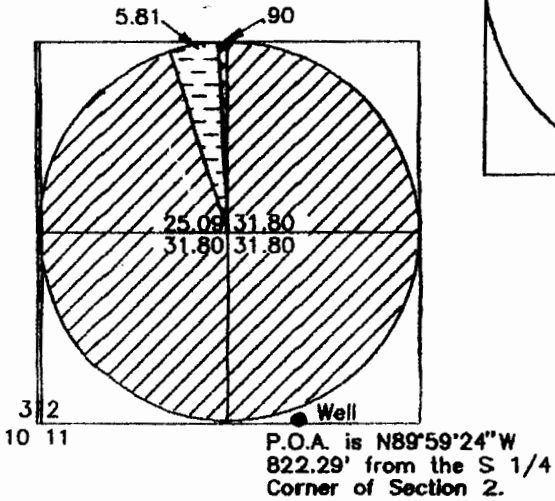


T.26S. R.14E., W.M.
SECTION 12

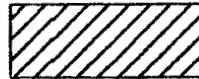


Well No 1
1120' South & 1500' West of
the NE corner Section 12

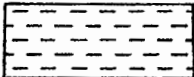
T.26S. R.14E., W.M.
SECTION 2
Tax Lot 400



6.61



6.61 acres transferred from
Permit G-7361, Certificate 75331



5.81 acres transferred from
Permit U-472, Certificate 88716



0.90 acres transferred from
T-3510, Certificate 68717



120.49 acres transferred from
Permit G-7361, Certificate 75331

PREPARED FOR: KEN & KATHY KRUSE
PREPARED BY: SUNDET & ASSOCIATES
P.O. BOX 1228
LAKEVIEW, OR 97630
(541)947-3293

DR #9498FP

This map is for the purpose of identifying the location of the water right only and is not intended to provide legal dimensions or location of property ownership lines.



Reviews 6/26/02

RECEIVED

AUG 04 2000

WATER COURSE
M OR