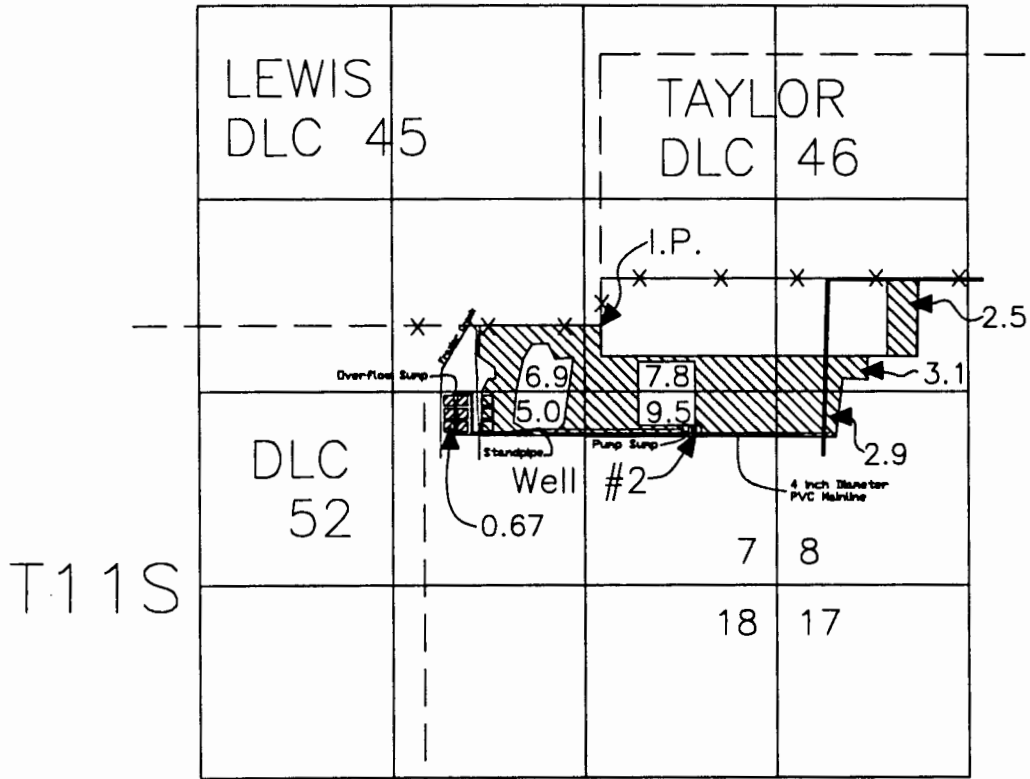


RECEIVED

SEP 16 1996

WATER RESOURCES DEPT.
SALEM, OREGON

R4W W.M.



T11S

1320 0 1320

SCALE IN FEET

Certified Water Right Examiner
255WRE
Bruce D. Wilson 8/23/96
Bruce D. Wilson
May 22, 1990
STATE OF OREGON

Primary -

Supplemental to
Permit G-2567 -

Well #2 is located 656 ft. E & 675 ft. S from the most southerly S.E. corner of Lewis DLC 45 marked with an iron pipe (I.P.).

FINAL PROOF SURVEY

under

Application No. G-12687, Permit No. G-11467

in the name of

Oregon Agricultural Experiment Station

Oregon State University