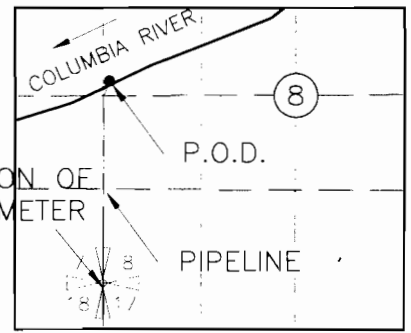
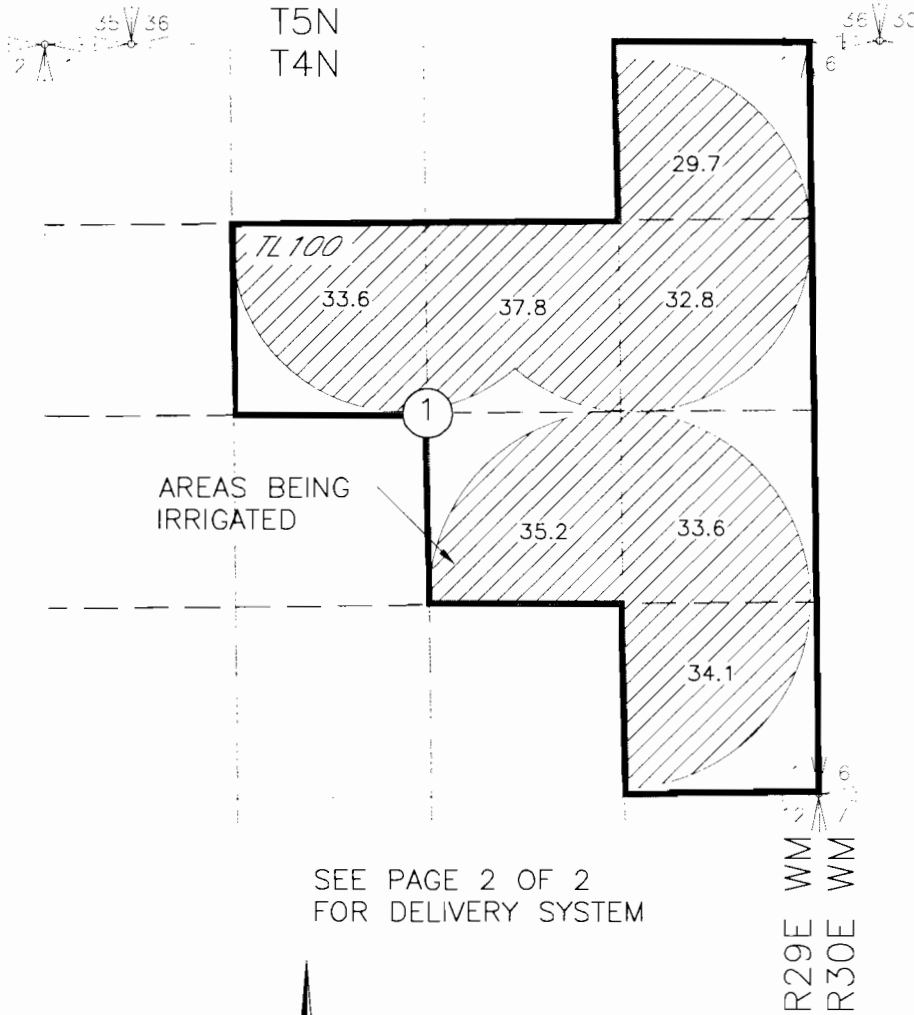


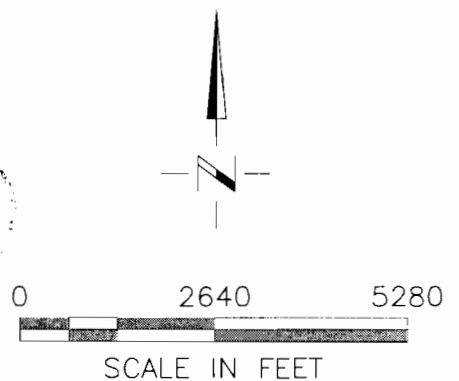
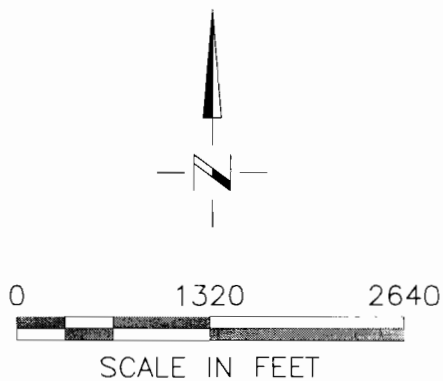
CLAIM OF BENEFICIAL USE MAP  
 PAGE 1 OF 2  
 FOR TRANSFER T-9708 IN THE NAME OF  
 ROYALE COLUMBIA FARMS, INC  
 UMATILLA COUNTY  
 SECTION 1, T4N, R29E, W.M.



P.O.D. LOCATED 2860'N AND 70'E FROM THE SW CORNER OF SEC 8, T5N, R30E WM

FLOW METER LOCATED AT  
 LAT: 45°55'16.8" N  
 LON: 119°05'58.5" W

SEE PAGE 2 OF 2  
 FOR DELIVERY SYSTEM

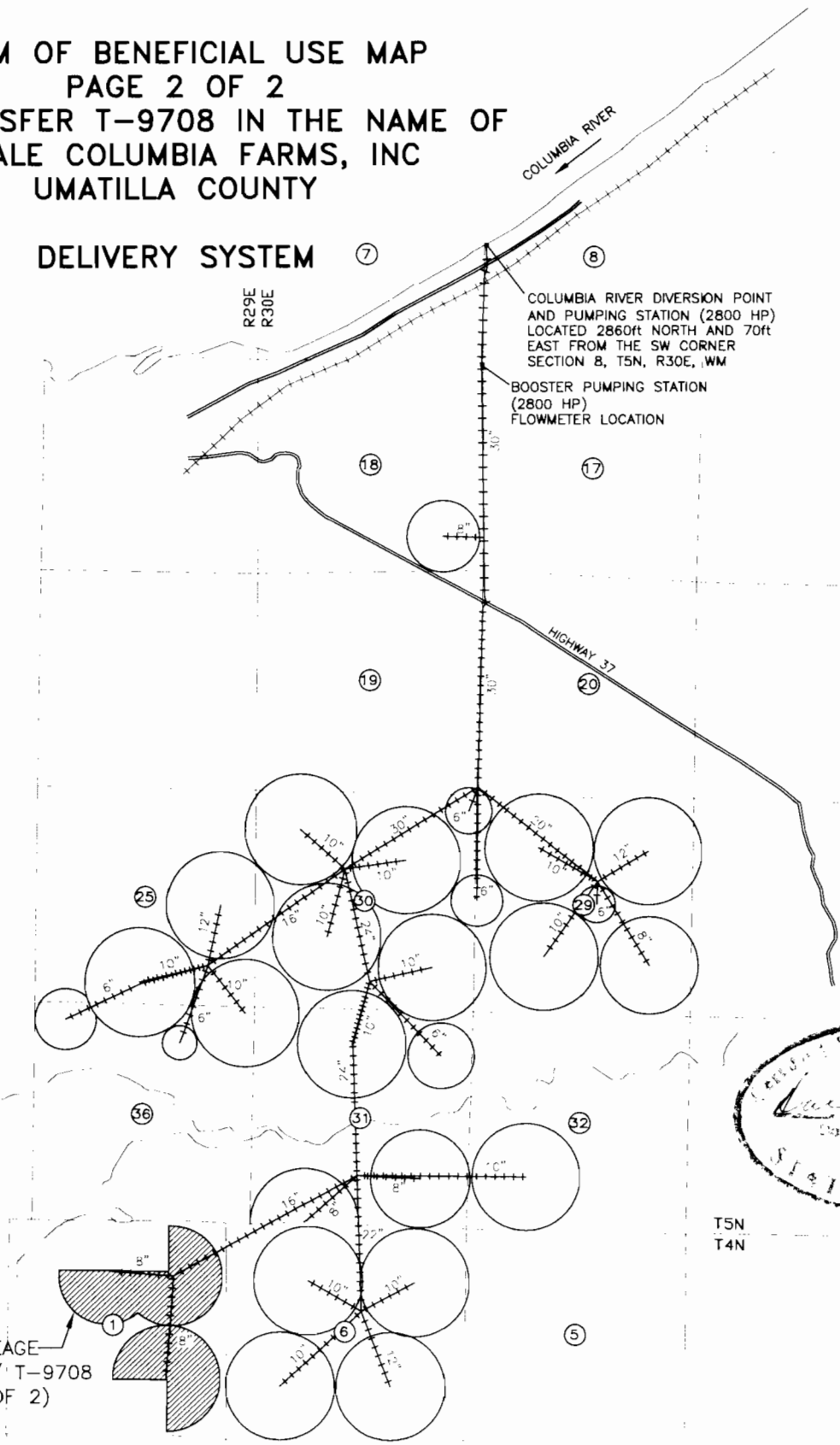


NOTE:  
 THE PURPOSE OF THIS MAP IS TO IDENTIFY THE APPROXIMATE LOCATION OF THE WATER RIGHT. IT IS NOT INTENDED TO PROVIDE INFORMATION RELATIVE TO THE LOCATION OF PROPERTY OWNERSHIP BOUNDARY LINES.

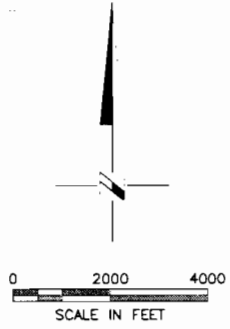
DRAWING: 15\30 08 016 Royale Water Rights Consulting, 800 Main Highway, 3000\ROY - CORRUM\3A\CORRUM.MXD 9/08.lwg  
 PLOT: 15\30 08 016 on 04/11/08 10:03 AM

CLAIM OF BENEFICIAL USE MAP  
 PAGE 2 OF 2  
 FOR TRANSFER T-9708 IN THE NAME OF  
 ROYALE COLUMBIA FARMS, INC  
 UMATILLA COUNTY

DELIVERY SYSTEM



T5N  
T4N



IRRIGATED ACREAGE  
 ASSOCIATED W/ T-9708  
 (SEE PAGE 1 OF 2)

NOTE:  
 THE PURPOSE OF THIS MAP IS TO IDENTIFY THE APPROXIMATE LOCATION OF THE WATER  
 RIGHT. IT IS NOT INTENDED TO PROVIDE INFORMATION RELATIVE TO THE LOCATION OF  
 PROPERTY OWNERSHIP BOUNDARY LINES.

THE PIPE DISTRIBUTION SYSTEM'S BURIED PIPE LOCATIONS AND SIZES ARE  
 APPROXIMATE. THEY ARE BASED ON FARM MAPS, FIELD OBSERVATIONS AND DESCRIPTIONS  
 PROVIDED BY OPERATIONS PERSONNEL.

DRAWING: 15\30 08 016 - Perley Water Rights Consulting\30 Vice Engineering\00\COLUMBIA\ROYALE CO\T-9708\RYL.dwg  
 PRINTED BY: rwl on 04/16/08 02:31 PM