

FINAL PROOF SURVEY AND CLAIM OF BENEFICIAL USE

LOCATED IN

NW 1/4, SE 1/4, NW 1/4 SECTION 10, T.4N., R.29E., W.M.
UMATILLA COUNTY, OREGON

APPLICANTS: ROBERT C. AND VIRGINIA L. FRANKLIN
TRANSFER 8232 SPECIAL ORDER V.53, P. 696
A PORTION OF PERMIT G-5451

NEW POINT OF
APPROPRIATION.
A WELL 3,651 FEET
NORTH AND 1,492
FEET EAST OF
SECTION CORNER 9,
10, 15 & 16, T.4N.,
R.29E., W.M.

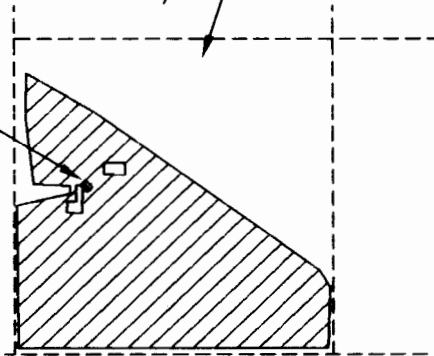
NW 1/4
SE 1/4
NW 1/4

GRAPHIC SCALE

0 400

(IN FEET)

1 inch = 400 ft.



LEGEND

• WELL

----- 1/64TH LINE

 AREA UNDER IRRIGATION
5.20 ACRES

RECEIVED

SEP 03 1999

**WATER RESOURCES DEPT.
SALEM, OREGON**

This map is prepared for the express purpose to show water appropriation and use. It is not intended to show or locate property ownership lines.



DENNIS L. GAYLORD, CWRE
71614 S.W. LAKE DRIVE
PENDLETON, OR 97801
(541) 276-6260
August 14, 1999

DRAWN BY: H B WILLIAMS DRAFTING

©

Renews JUNE 30, 2001