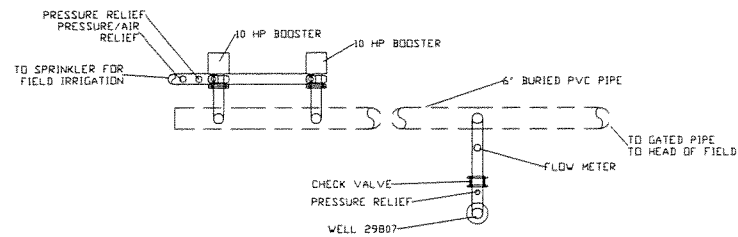
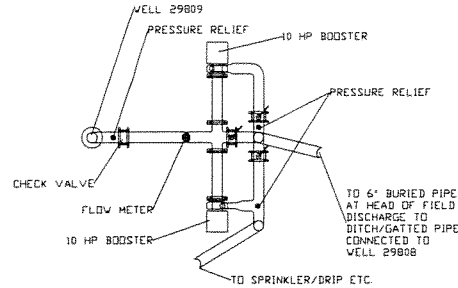


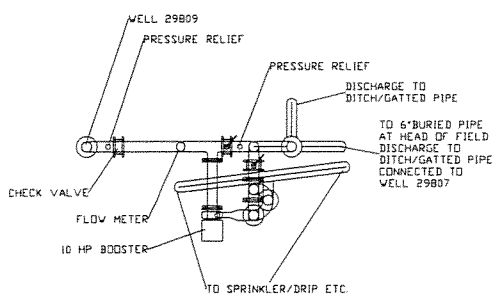
WELL 29807



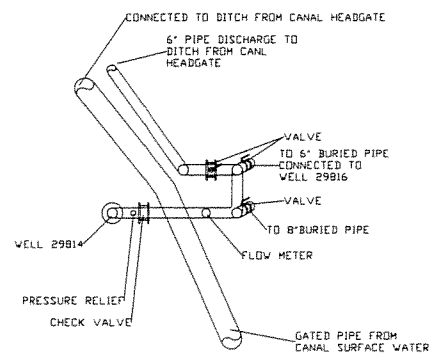
WELL 29808



WELL 29809

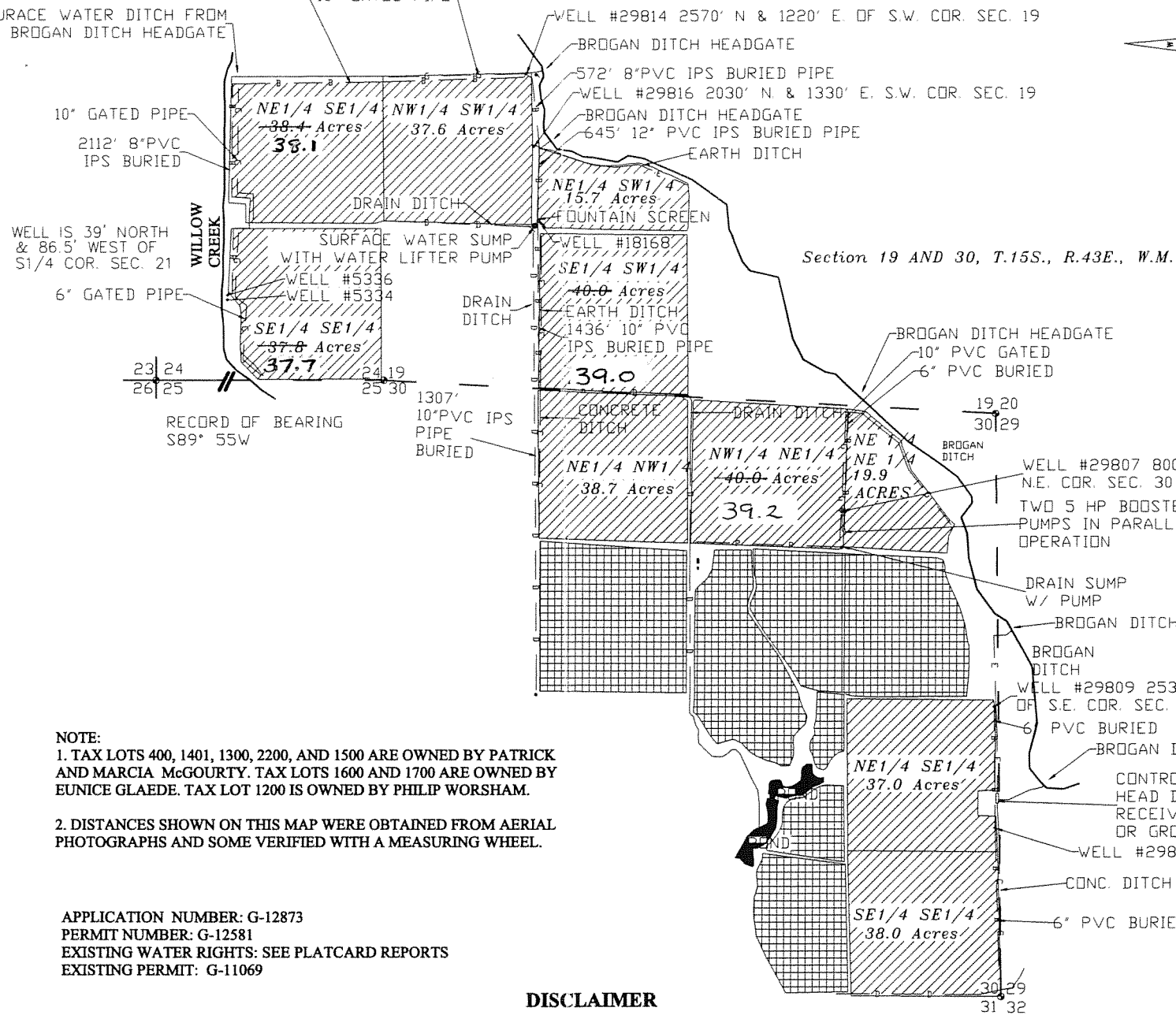


WELL 29814



Section 24, T.15S., R.42E., W.M.

2525' 8" PVC IPS BURIED PIPE-
SURFACE WATER DITCH FROM
BROGAN DITCH HEADGATE

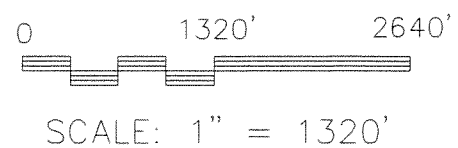
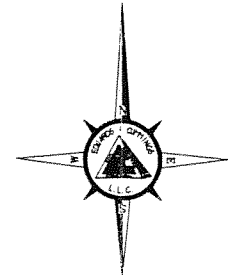
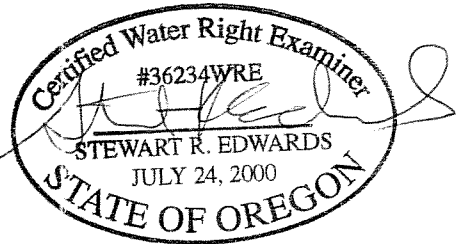


NOTE:
1. TAX LOTS 400, 1401, 1300, 2200, AND 1500 ARE OWNED BY PATRICK AND MARCIA MCGOURTY. TAX LOTS 1600 AND 1700 ARE OWNED BY EUNICE GLAED. TAX LOT 1200 IS OWNED BY PHILIP WORSHAM.
2. DISTANCES SHOWN ON THIS MAP WERE OBTAINED FROM AERIAL PHOTOGRAPHS AND SOME VERIFIED WITH A MEASURING WHEEL.

APPLICATION NUMBER: G-12873
PERMIT NUMBER: G-12581
EXISTING WATER RIGHTS: SEE PLATCARD REPORTS
EXISTING PERMIT: G-11069

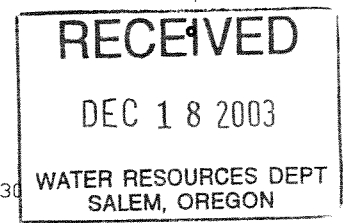
DISCLAIMER

I, STEWART R. EDWARDS, HEREBY CERTIFY THAT THIS MAP WAS MADE TO BE A FINAL PROOF OF THE APPLICATION FOR A PERMIT TO APPROPRIATE GROUND WATER. SECTIONAL LINES SHOWN ARE APPROXIMATE AND THIS MAP IS NOT INTENDED FOR ANY OTHER USE AND DOES NOT GUARANTEE LAND OWNERSHIP.



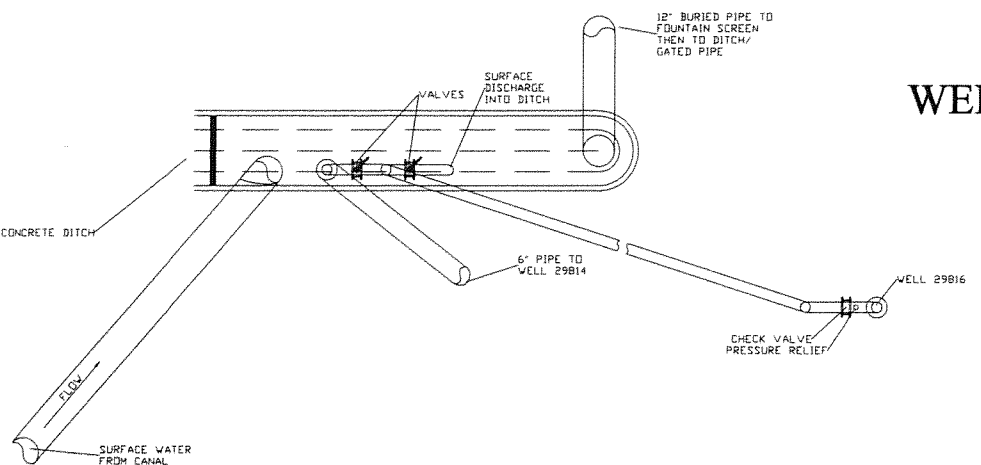
LEGEND

- GOVERNMENT CORNER
- LAND INCLUDED IN PERMIT G-12581
- OTHER RIGHTS
- CONC. LINED DITCH
- EARTHEN DITCH
- DRAIN DITCH
- BURIED PIPE LINE
- GATED PIPE
- DRAIN PIPE
- WELL PUMP
- DRAIN SUMP



STATE	SEC. NO.	1/16 SEC.	1/4 SEC.	TOTAL ACRES	1990 WATER PERMIT	1996 WATER PERMIT		TAX LOT NO.
						PRIM.	SUP.	
OR	24	NE1/4	SE1/4	38.4	38.4		38.4	1401
OR	24	SE1/4	SE1/4	37.8	37.8		37.8	1500
OR	19	NE1/4	SW1/4	15.7	15.7		15.7	400
OR	19	NW1/4	SW1/4	37.6	37.6		37.6	400
OR	19	SE1/4	SW1/4	40.0	40.0		40.0	400
OR	30	NE1/4	NW1/4	38.7	38.7		38.7	1600
OR	30	NW1/4	NE1/4	40.0			40.0	1300
OR	30	NE1/4	NE1/4	22.2			19.9	1200
OR	30	NE1/4	SE1/4	37.0			37.0	2200
OR	30	SE1/4	SE1/4	38.0			38.0	2200
				TOTAL	345.4	208.2	343.1	

WELL 29816



FINAL PROOF MAP
FOR: **PATRICK MCGOURTY**
EDWARDS & CUMMINGS, LLC
CIVIL ENGINEERING & LAND SURVEYING
156 SE 151 AVE, SUITES NO. 1 & 2, 889-5411, OREGON 97914

CHECKED BY: DC DRAWN BY: DC APPROVED BY: SRE
DATE: 12/11/2003 DRAWING No: WD-02003 REVISED:
SHEET 1 OF 1 JOB No: WD-3002 BK.