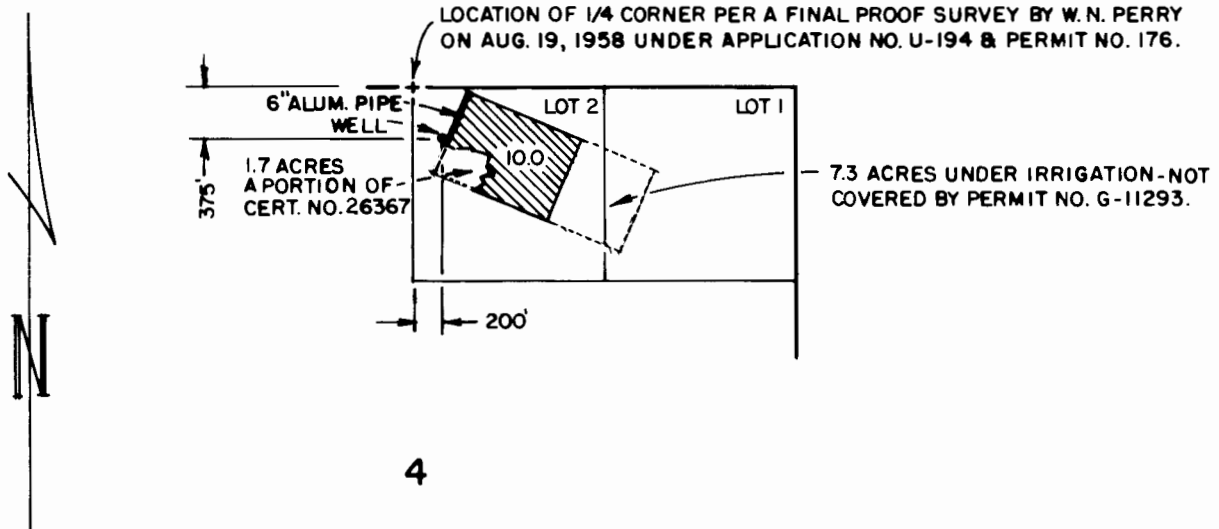


T 20 S, R 36 E, WM



THE PURPOSE OF THIS MAP IS TO IDENTIFY THE LOCATION OF THE WATER RIGHT. IT IS NOT INTENDED TO PROVIDE INFORMATION RELATIVE TO THE LOCATION OF PROPERTY OWNERSHIP.

RECEIVED

OCT - 2 1995
 WATER RESOURCES DEPT.
 SALEM, OREGON

FINAL PROOF SURVEY

UNDER
 APPLICATION NO. G-12204
 PERMIT NO. G-11293

IN THE NAME OF
 TOM N. TURNER

Scale: 4" = 1 MILE

Date: SEPT. 1995

Job: 1228

Des:



M. A. PALMER & SONS, INC.
 ENGINEERING & SURVEYING
 254 N. Alder - Box 61
 Burns, Oregon 97720

Sht. No.

Drm: CHRIS

of 1.

Ckd:

