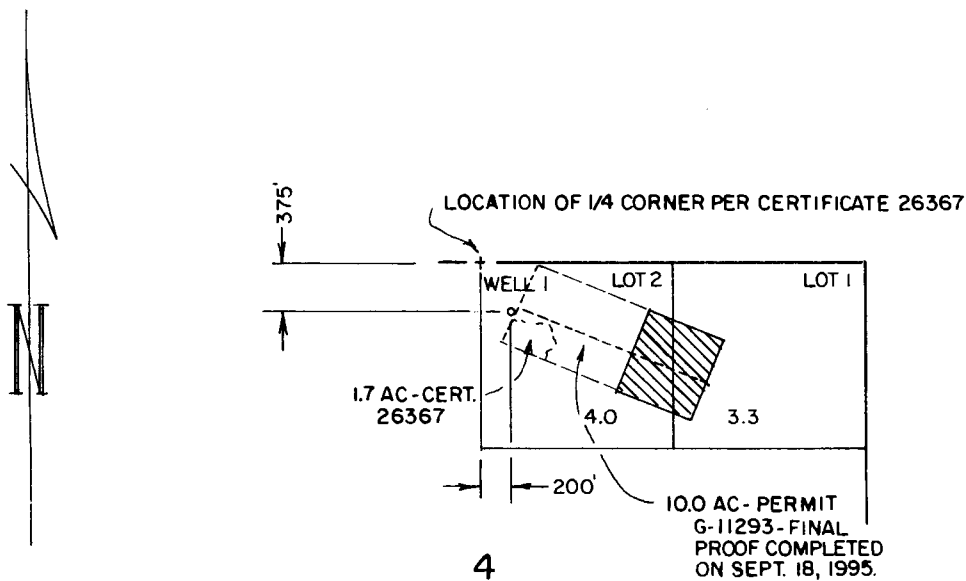


RECEIVED

MAR 05 2003

WA... DEPT... OREGON

T 20 S, R 36 E, WM



THE PURPOSE OF THIS MAP IS TO IDENTIFY THE LOCATION OF THE WATER RIGHT. IT IS NOT INTENDED TO PROVIDE INFORMATION RELATIVE TO THE LOCATION OF PROPERTY OWNERSHIP.

FINAL PROOF SURVEY

UNDER
APPLICATION NO G-14177
PERMIT NO. G-12844

IN THE NAME OF
TOM N. TURNER

Scale: 4" = 1 MILE

Date: FEB. 2003

Job: 1228

Dsn:



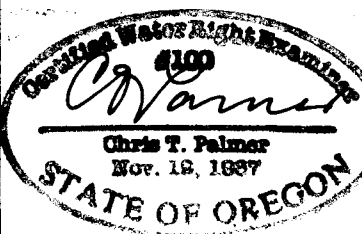
M. A. PALMER & SONS, INC.
ENGINEERING & SURVEYING
254 N. Alder - Box 61
Burns, Oregon 97720

Sht. No.

Drn: CHRIS

Ckd:

of 1



RENEW 1-1-2005