

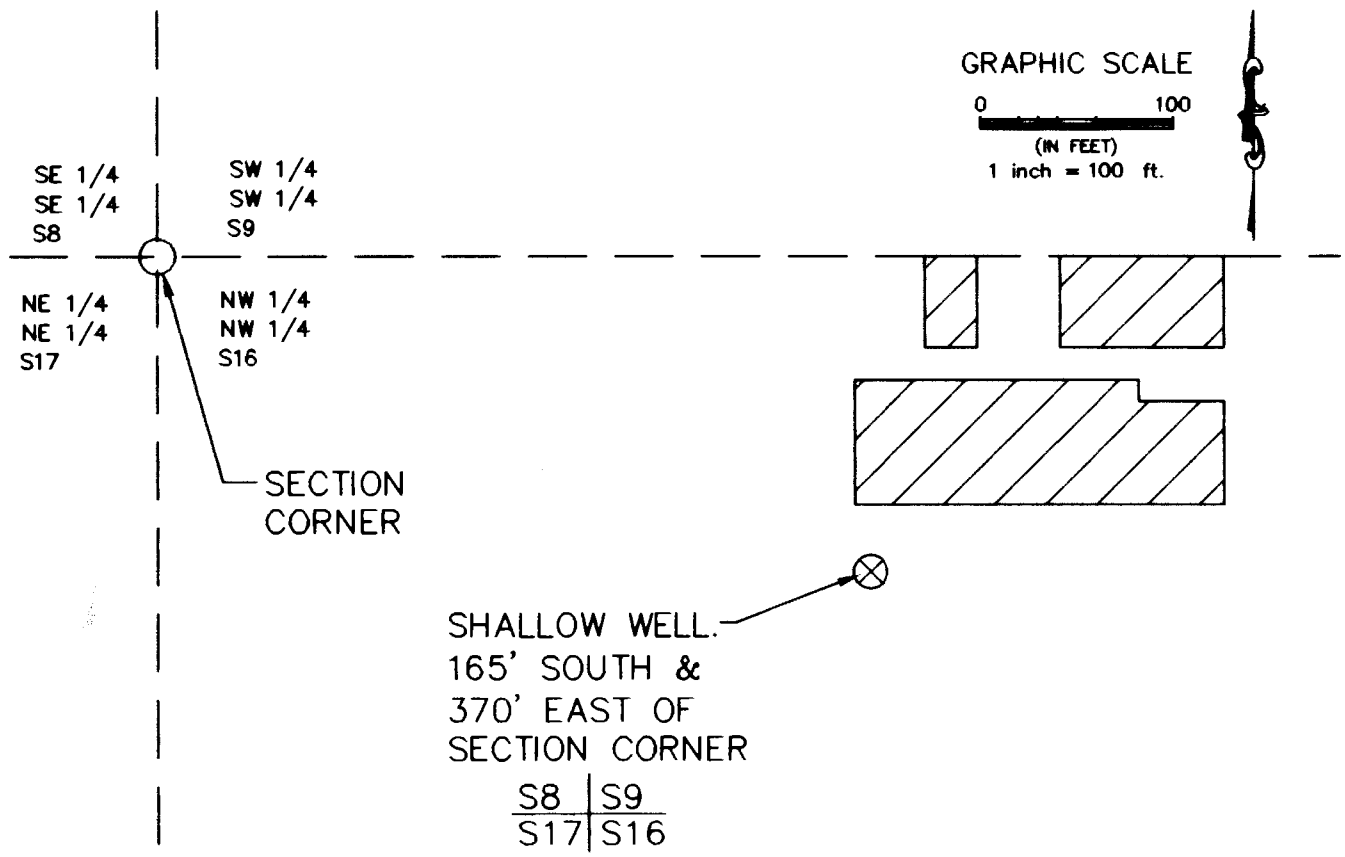
FINAL PROOF SURVEY AND CLAIM OF BENEFICIAL USE

RECEIVED

JUL 15 1999

WATER RIGHTS DIVISION
SALEM, OREGON

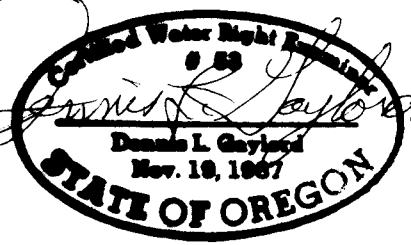
LOCATED IN
NW 1/4, NW 1/4, SECTION 16, T.2N., R.32E., W.M.
UMATILLA COUNTY, OREGON
APPLICANT: SAM & MARCENE K. JONES
APPLICATION T-7106 SPECIAL ORDER V.52, P. 878
PERMIT 652



LEGEND

AREA BENEFICIALLY IRRIGATED
0.38 ACRES

This map is prepared for the express purpose to show water appropriation and use. It is not intended to show or locate property ownership lines.



DENNIS L. GAYLORD, CWRE
71614 S.W. LAKE DRIVE
PENDLETON, OR 97801
(541) 276-6260
July 2, 1999

DRAWN BY: H B WILLIAMS DRAFTING

Renews JUNE 30, 2001