

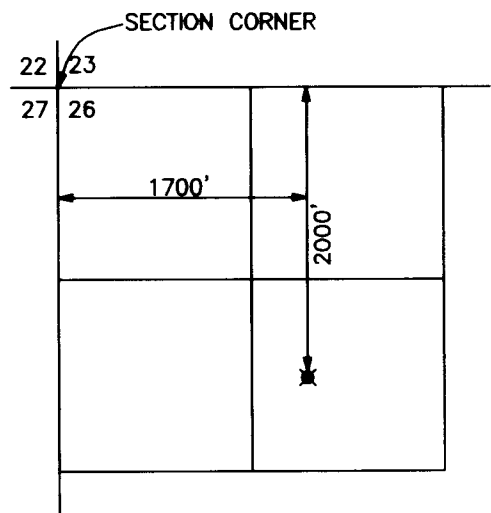
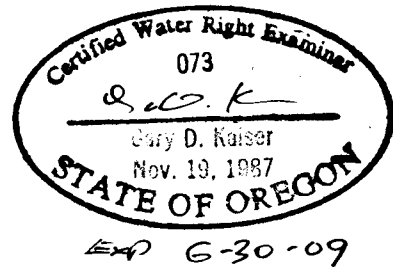
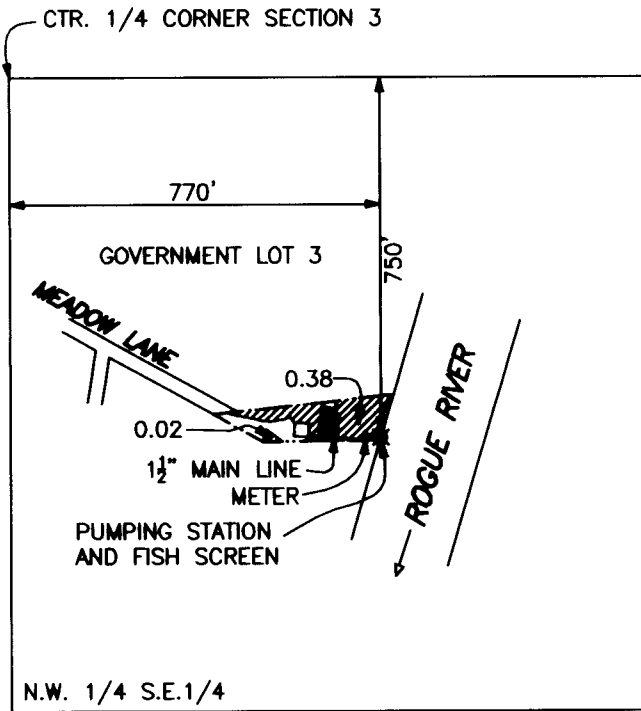
T.34S.,R.1W.,W.M.

Section 30, Tax Lot No. 1100

CLAIM OF BENEFICIAL USE MAP



SCALE 1" = 400'



LOST CREEK RESERVOIR  
 POINT OF DIVERSION  
 T.33S.,R.1E.,W.M.  
 SCALE 1" = 1320'

**RECEIVED**

JUL 02 2007

WATER RESOURCES DEPT  
SALEM, OREGON

APPLICATION FILE No. S-85734  
PERMIT No. S-54071

IN THE NAME OF:  
Kenneth and Wilma Byers  
P.O. Box 349  
Shady Cove, OR. 97539

MAP PREPARED June 20, 2007  
BY GARY D. KAISER

NOTE: MAP PREPARED FOR  
WATER RIGHT PURPOSES ONLY,  
NOT FOR PROPERTY BOUNDARY  
LOCATIONS.