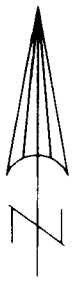
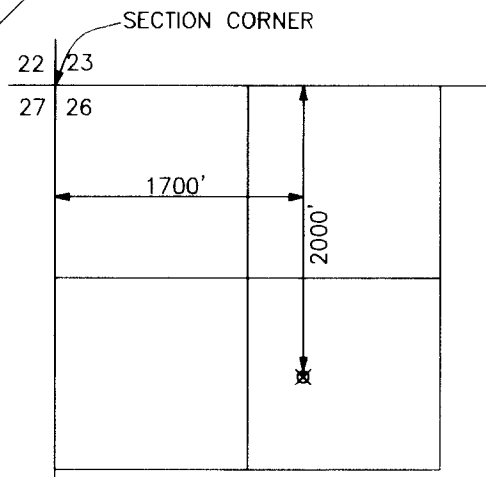
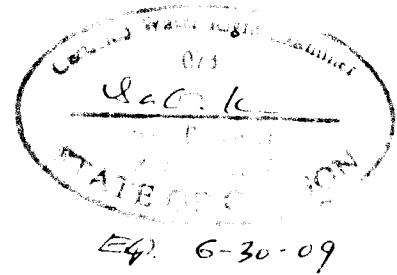
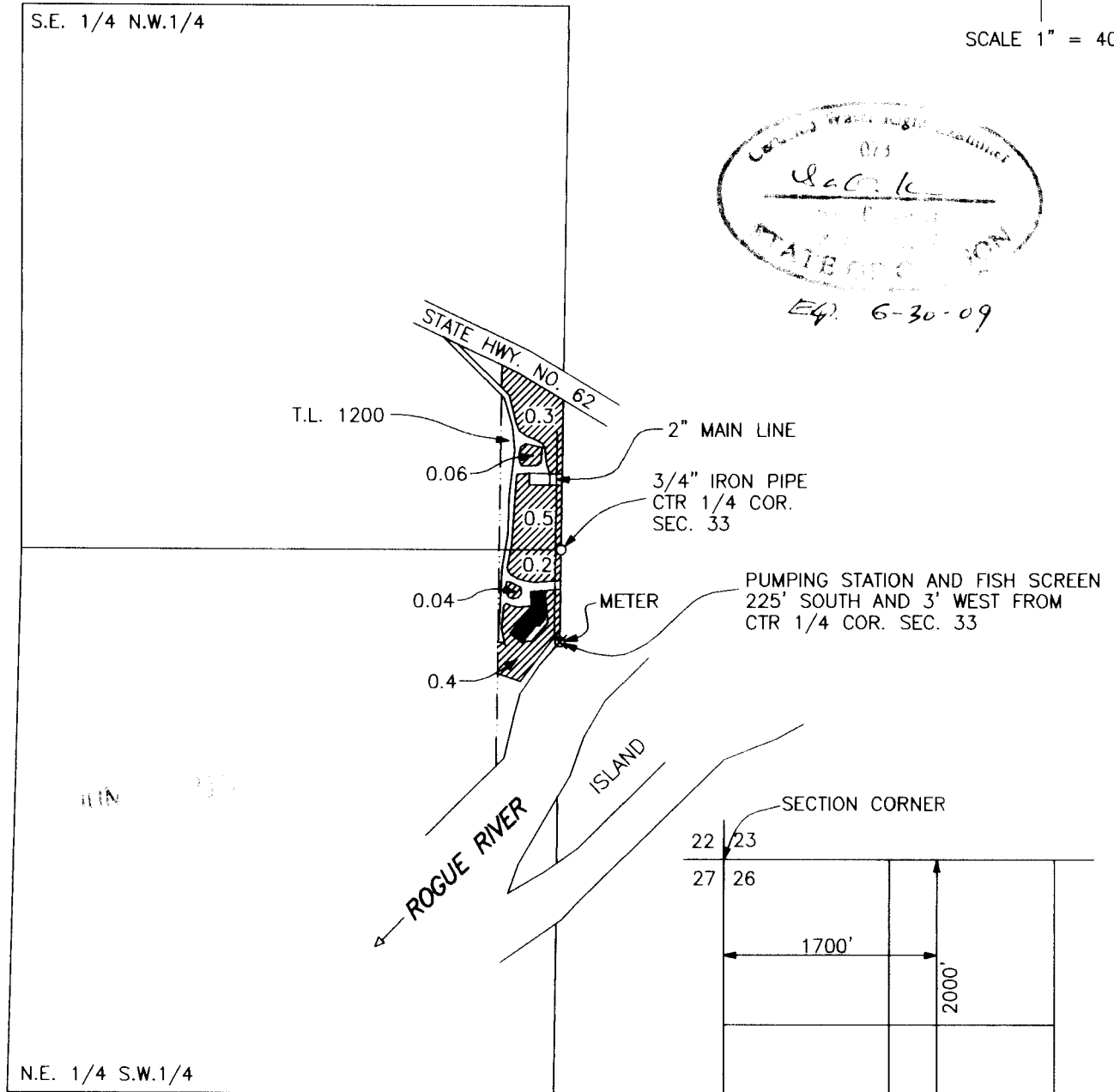


T.33S.,R.1E.,W.M.
Section 33, Tax Lot No. 1200

CLAIM OF BENEFICIAL USE MAP



SCALE 1" = 400'



LOST CREEK RESERVOIR
POINT OF DIVERSION
T.33S.,R.1E.,W.M.
SCALE 1" = 1320'

APPLICATION FILE No. S-84710
PERMIT No. S-53791

IN THE NAME OF:
Charles and Joyce Todd
P.O. Box 125
Trail, OR 97541

MAP PREPARED June 11, 2007
BY GARY D. KAISER

NOTE: MAP PREPARED FOR
WATER RIGHT PURPOSES ONLY,
NOT FOR PROPERTY BOUNDARY
LOCATIONS.