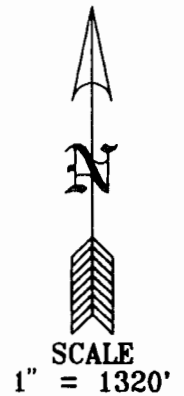


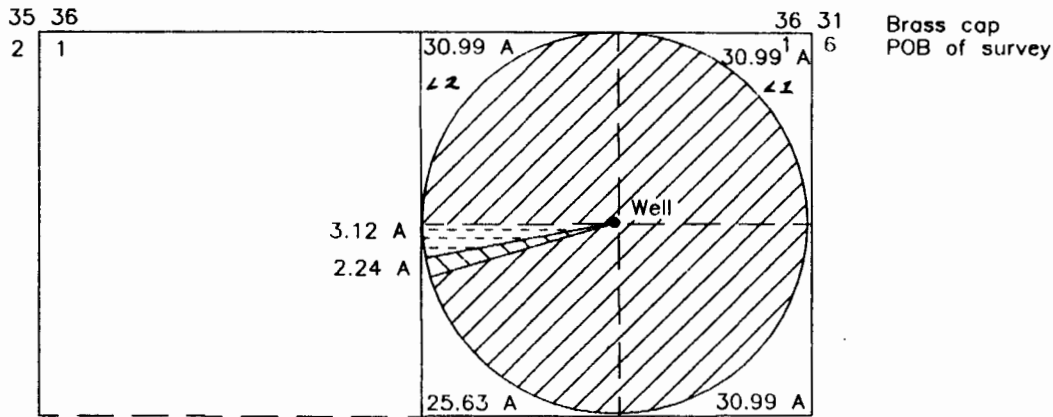
CLAIM OF BENEFICIAL USE MAP

Section 1, T.27S. R.15E., W.M.

Lake County, Oregon
Tax Lot 100
T-8129



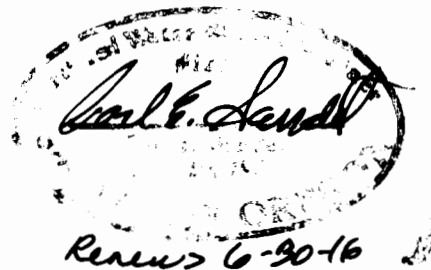
P.O.A. S45°14'32"W - 1864.70'
from the NE Corner of Section 1



2.24 Acres transferred
from permit #G-10219

3.12 Acres transferred
from permit #U-394

118.60 Acres transferred
from permit #G-10046



PREPARED FOR: GENE PORTER
PREPARED BY: SUNDET & ASSOCIATES
P.O. BOX 1228
LAKEVIEW, OR 97630
SEPTEMBER 2001
DR# 14401

THIS MAP IS FOR THE PURPOSE OF IDENTIFYING THE LOCATION OF THE WATER RIGHT ONLY AND IS NOT INTENDED TO PROVIDE LEGAL DIMENSIONS OR LOCATION OF PROPERTY OWNERSHIP LINES.

Added Gov Lot #5 to NENE & NNNE. nfb/wrd 11-12-15