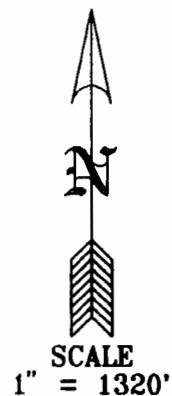


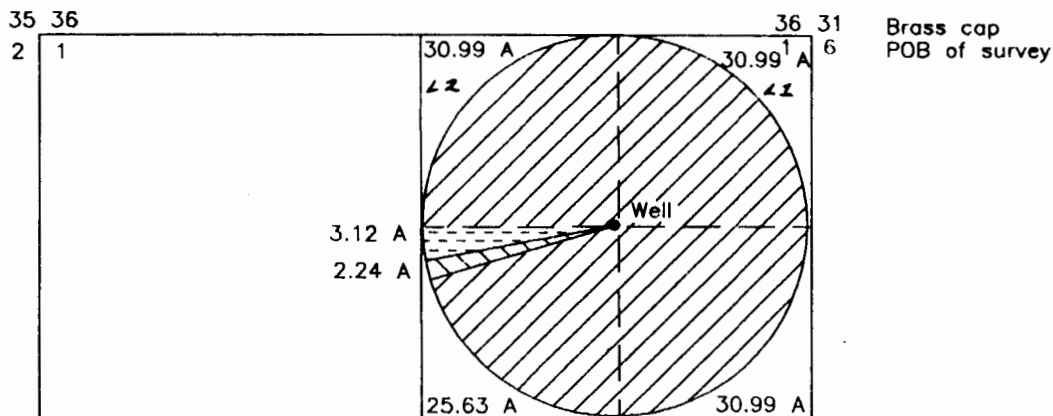
# CLAIM OF BENEFICIAL USE MAP

## Section 1, T.27S. R.15E., W.M.

Lake County, Oregon  
Tax Lot 100  
T-8129



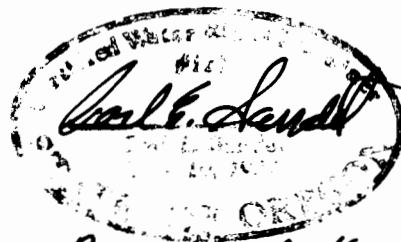
P.O.A. S45°14'32"W - 1864.70'  
from the NE Corner of Section 1



2.24 Acres transferred from permit #G-10219

3.12 Acres transferred from permit #U-394

118.60 Acres transferred from permit #G-10046



PREPARED FOR: GENE PORTER  
PREPARED BY: SUNDET & ASSOCIATES  
P.O. BOX 1228  
LAKEVIEW, OR 97630  
SEPTEMBER 2001  
DR# 14401

THIS MAP IS FOR THE PURPOSE OF IDENTIFYING THE LOCATION OF THE WATER RIGHT ONLY AND IS NOT INTENDED TO PROVIDE LEGAL DIMENSIONS OR LOCATION OF PROPERTY OWNERSHIP LINES.

*Added Gov Lot #5 to NENE & NNNE. nfb/wrd 11-12-15*