

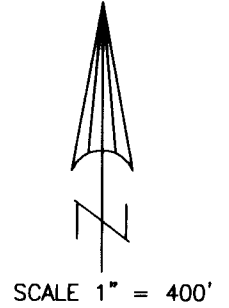
FOR: MIKE JOHNSON
 1547 HWY. 234
 Eagle Point, OR. 97524

T.35S.,R.1W.,W.M.
 Jackson County, Oregon
 Tax Lot No. 351W 17 - 257
 ROGUE RIVER BASIN

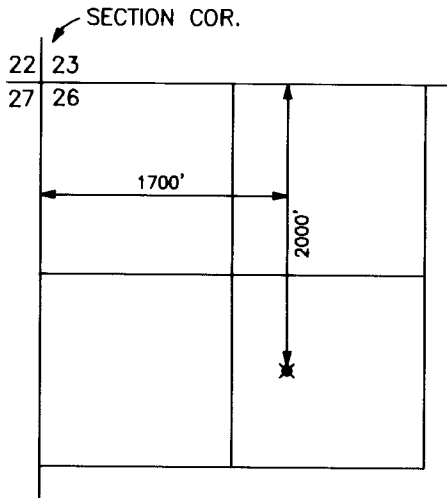
PREPARED BY:
 GARY D. KAISER
 KAISER SURVEYING
 19440 HWY. 62
 EAGLE POINT, OR. 97524

July 10, 2009

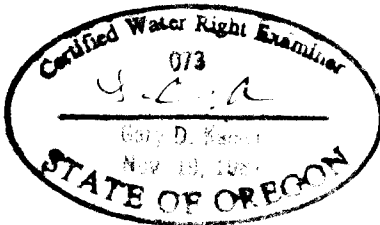
CLAIM OF BENEFICIAL USE MAP
 APPLICATION No. S-87221, PERMIT
 No. S-54512



NOTE: MAP PREPARED FOR
 WATER RIGHT PURPOSES ONLY,
 NOT FOR PROPERTY BOUNDARY
 LOCATIONS.

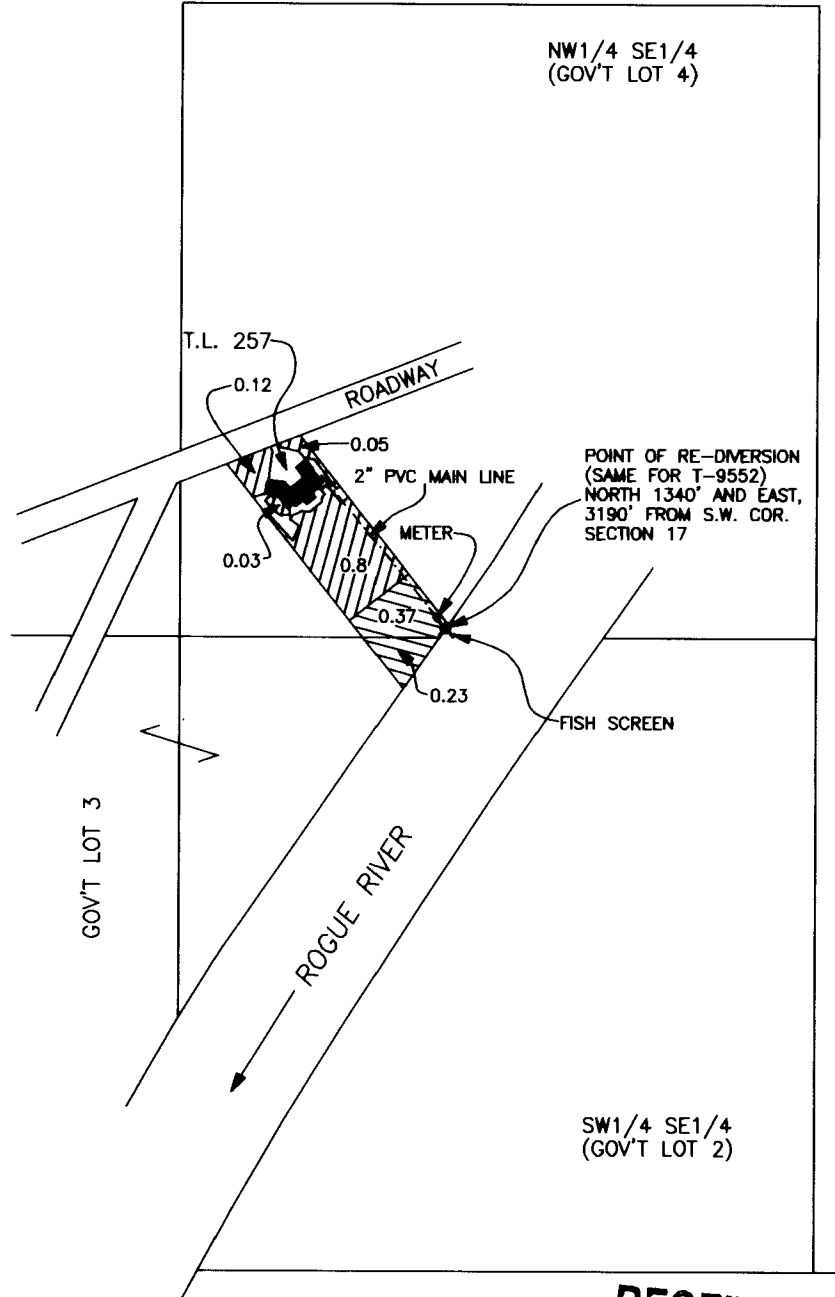


LOST CREEK RESERVIOR
 POINT OF DIVERSION
 T.33S.,R.1E.,W.M.
 SCALE 1" = 1320'



 = AREA IRRIGATED/T-9552

 = AREA IRRIGATED/
 PERMIT S-54512



RECEIVED

JUL 15 2009

WATER RESOURCES DEPT
 SALEM, OREGON