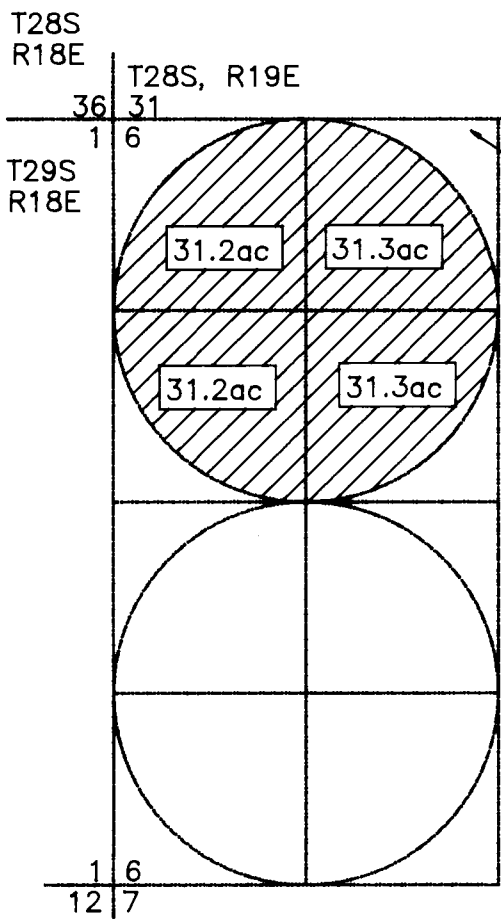
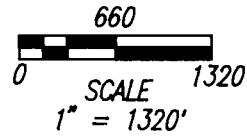
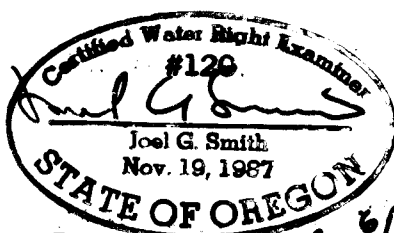


WATER RIGHTS TRANSFER MAP CHRISTMAS VALLEY, OREGON



Well is located 120' West, 20' South from the Northeast corner of the Northwest 1/4.

Permit G-9020
To be transferred from the NW 1/4 Sec 6, T27S, R19E, WM



I, Joel G. Smith, Certified Water Rights Examiner No. 120, do hereby certify that this map was prepared under my direction. the basis of measurement of this map is aerial photography from the Soil Conservation Service. This map has been prepared to show an area of water right transfer and does not represent a boundary survey or show areas of land ownership.

RENEWS 6/30/00 6/13/98

T- 8045

TERRASCOPE, INC.
405 SW Eighth St
Redmond, OR 97756
Tel: (541) 548-7852
Fax: (541) 548-7854

**WATER RIGHTS ON MAP
SEC 6, T29S, R19E, WM
LAKE COUNTY, OR**

DRAWING NO: F1358-2
DATE: 6/13/98
DRAWN BY: JGS
CHECKED BY: RCS
PROJECT NO: F117-1358