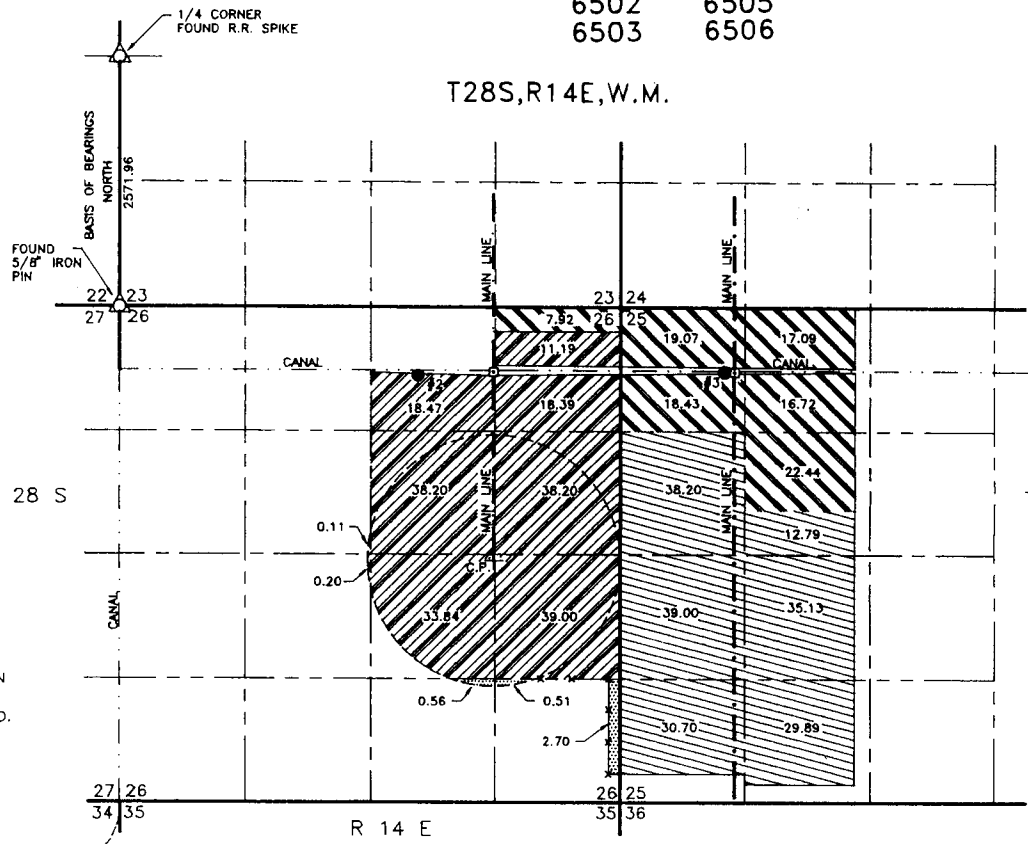


MAP TO AMEND FINAL PROOF SURVEY UNDER

TRANSFER NO.s

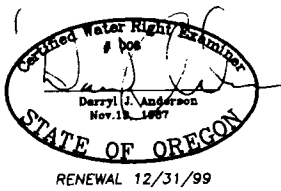
6501 6504
6502 6505
6503 6506

T28S,R14E,W.M.



LEGEND

- SECTION LINE
- - - 1/4 SECTION LINE
- - - - 1/16 SECTION LINE
- · - · - MAIN IRRIGATION LINE
- - - - CANAL
- WELL
- ⊠ PUMP STATION—POINT OF DIVERSION
- △ LAND SURVEY MONUMENT AS NOTED.



RENEWAL 12/31/99

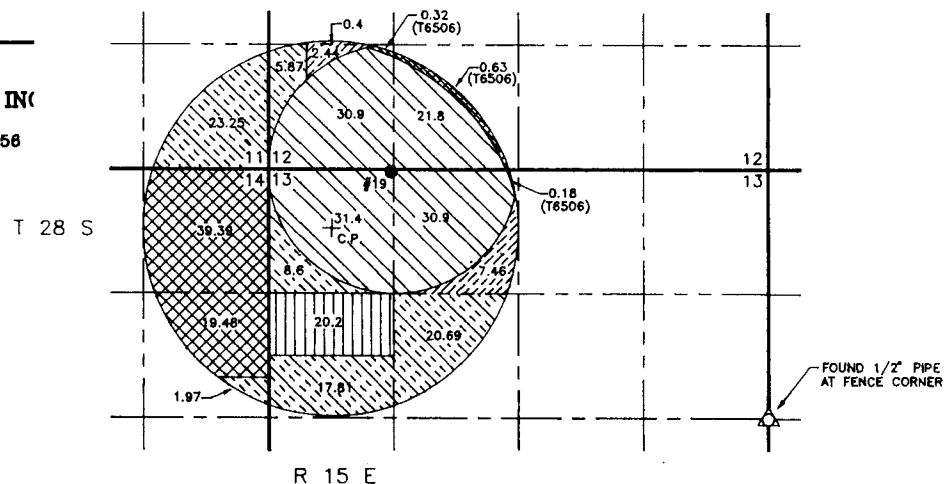
PREPARED FOR:
ZX RANCH
P.O. BOX 7
PAISLEY, OR 97636
(541) 943-3105

PREPARED BY:
ANDERSON ENGINEERING & SURVEYING, INC
P.O. BOX 28 LAKEVIEW, OREGON 97630
P.O. BOX 419 REDMOND, OREGON 97756
(541) 947-4407 (541) 923-4307
FAX 947-2321 FAX 923-4308

- T6503—SUPPLEMENTAL
- T6503—PRIMARY
- T6504—SUPPLEMENTAL
- T6505—SUPPLEMENTAL

- #2 ● 728 SOUTH & 3144 EAST OF THE NW CORNER OF SECTION 26.
- #3 ● 688 SOUTH & 1166 EAST OF THE NW CORNER OF SECTION 25.

T28S,R15E,W.M.



- T6501—PRIMARY
- T6506—PRIMARY
- T6502—PRIMARY
- EXISTING AREA UNDER CERTIFICATE #48891 PERMIT G-6772
- T6505—PRIMARY
- #19 ● 2827 NORTH & 3961 WEST FROM THE SW 1/4 CORNER OF SECTION 15.



SCALE: 1"=132'

NOTE: PREP