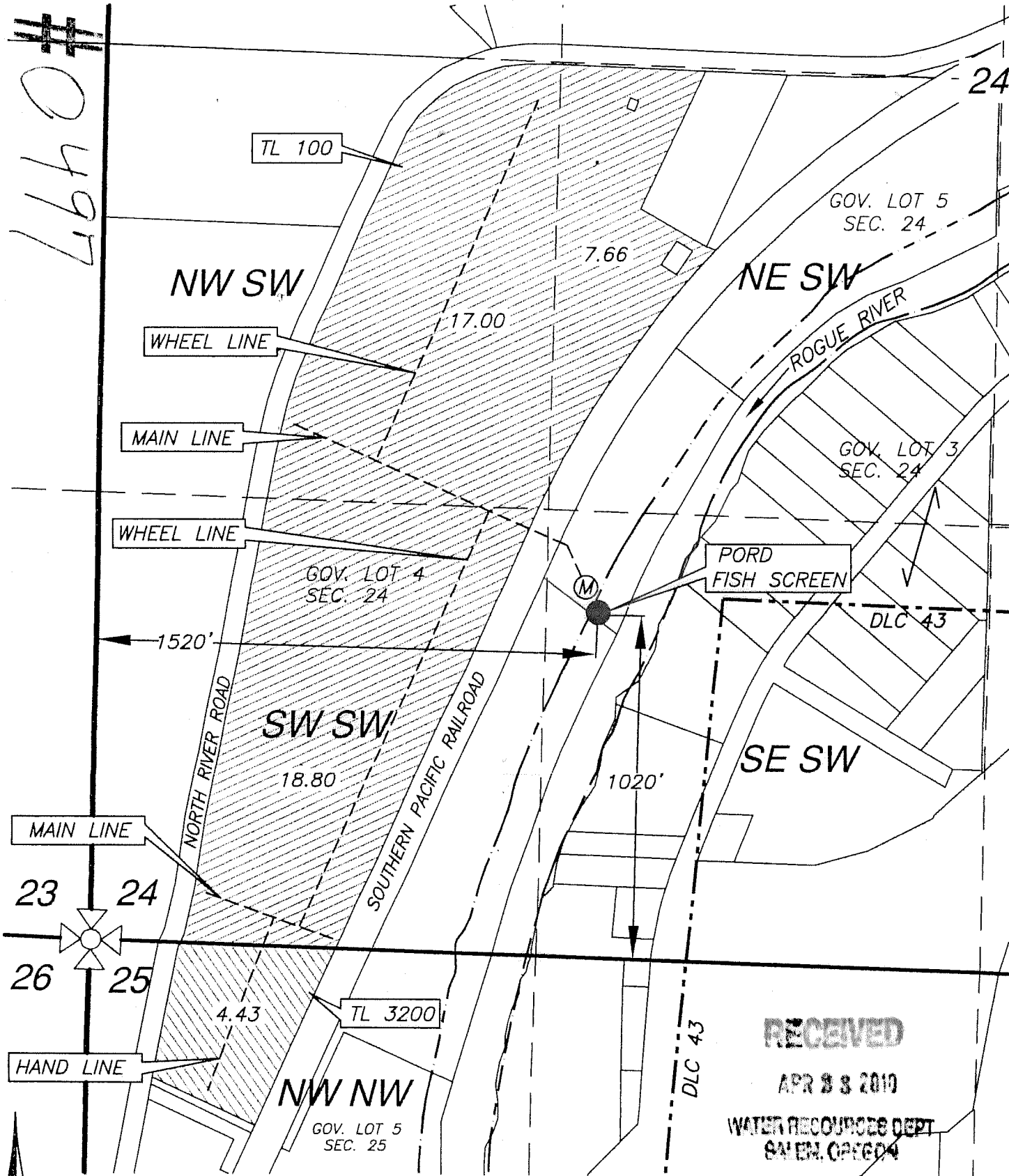


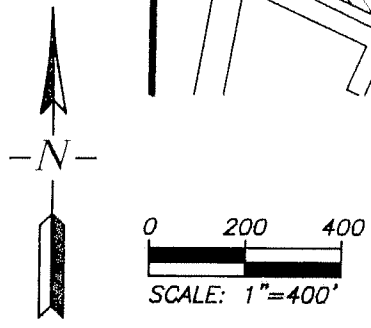
COBU MAP # 0497

CLAIM OF BENEFICIAL USE MAP

APPLICATION S-87069 PERMIT S-54480
FOR USE OF STORED WATER FROM LOST CREEK RESERVOIR
FOR
CELESTIAL LLC
1065 McDONOUGH ROAD
GOLD HILL, OREGON 97525
SITUATED IN
SECTION 24 & 25, TOWNSHIP 36 SOUTH RANGE 4 WEST,
W.M. JACKSON COUNTY, OREGON



RECEIVED
APR 28 2010
WATER RESOURCES DEPT
SALEM, OREGON



This map is not intended to provide legal dimensions or locations of property ownership lines.
April 16, 2010

PWM Public Works Management, Inc.

LEGEND

- POINT OF DIVERSION
- Ⓜ FLOW METER & PUMP
- - - - - DLC LINE
- - - - - 1/4-1/4 SECTION LINE
- - - - - RIVER BOUNDARY
- - - - - DISTRIBUTION LINE
- ▨ SUPPLEMENTAL
- ▨ PRIMARY

CERTIFIED WATER RIGHT EXAMINER
79641CWRE
Evan H. Maler
EVAN H. MALER
JUNE 6, 2009
STATE OF OREGON

RENEWS: 12/31/2010