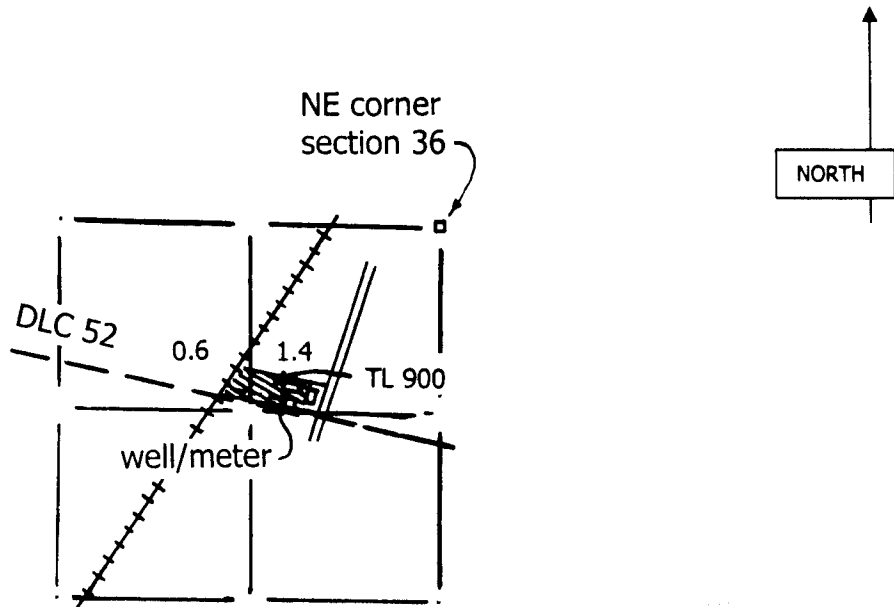


FINAL PROOF SURVEY MAP

DANIEL & DIANA WELLS
Application G-15671 Permit G-15221

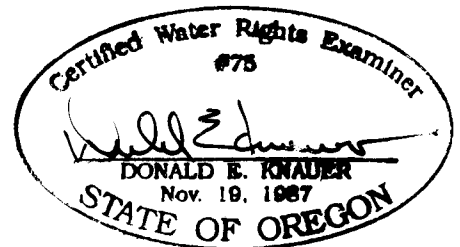
T 4 S R 2 W, W.M. Section 36



- Well/Meter •
- Section Line _____
- Tax Lot Line _____
- Pipe line - - - - -
- DLC line - - - - -
- Railroad track - + + + + +

Well/Meter: 1200' S & 1090' W
Both from the NE corner section 36

Scale 4" = 1 mile



This map is not intended to provide legal dimensions or locations of property ownership

RENEWAL DATE: 6/30/2013