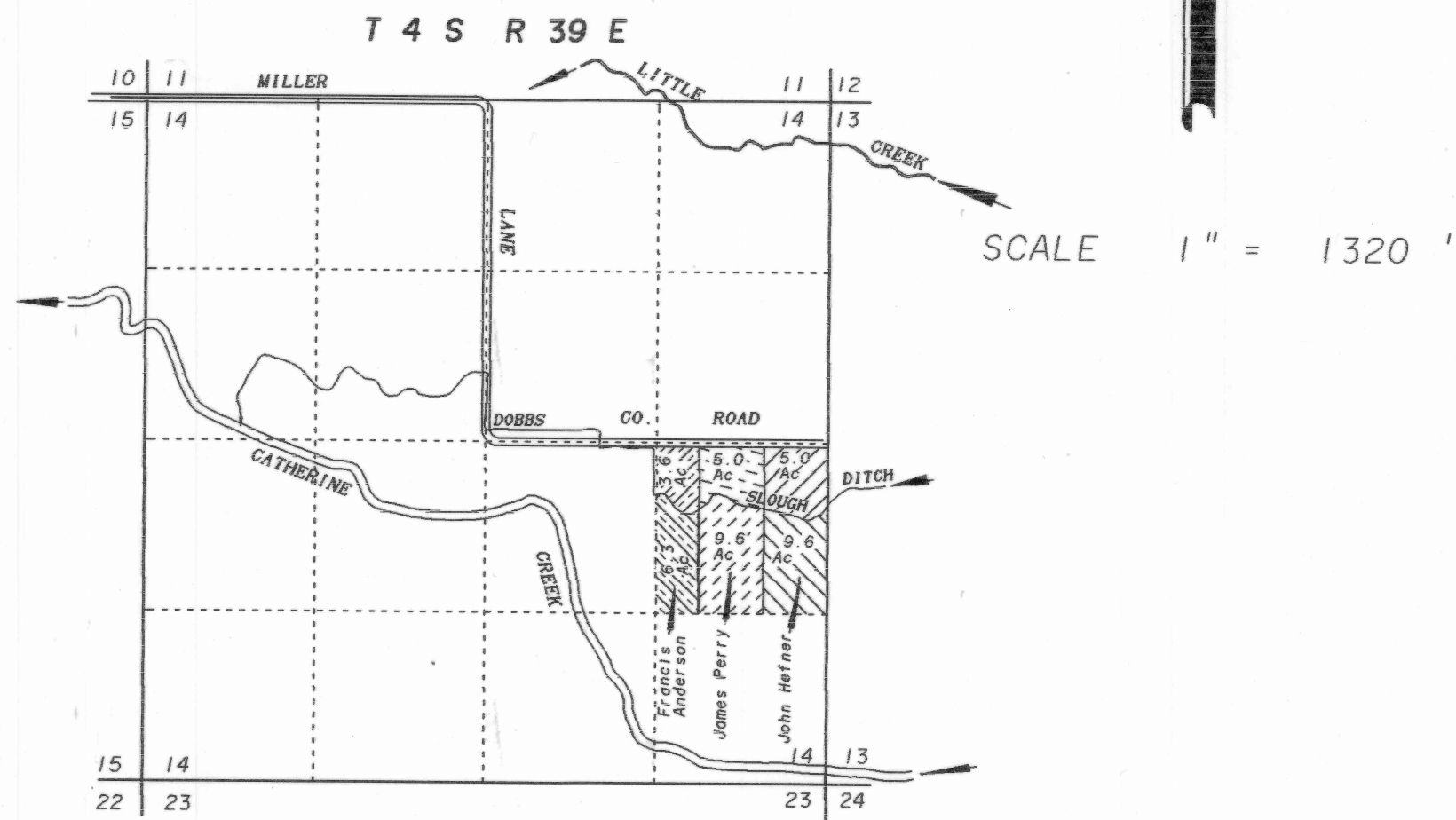



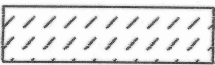
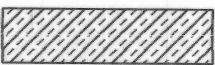



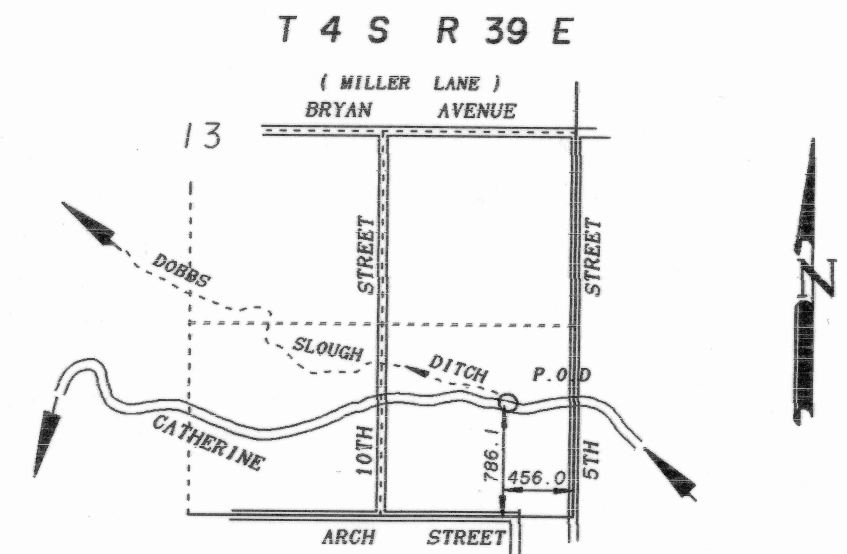
**AUTHORIZED POINT OF DIVERSION  
FOR LANDS IRRIGATED FROM COFFIN  
DITCH**

SCALE 1" = 1320'

NOTE: Authorized point of diversion has no description other than Coffin Ditch starting in the SE 1/4 of the SW 1/4 of Section 13, Township 4 South, Range 39 East of the Willamette Meridian. The dimensions are scaled from the adjudicated map.

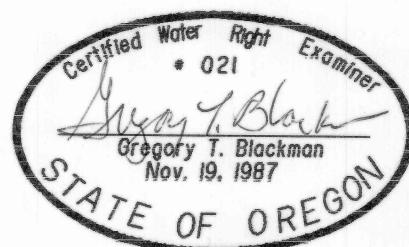


- |                                                                                      |                                                                                         |                                                                                       |                                                                                                                     |
|--------------------------------------------------------------------------------------|-----------------------------------------------------------------------------------------|---------------------------------------------------------------------------------------|---------------------------------------------------------------------------------------------------------------------|
|  | Lands irrigated by Hefner under C 36609 having the authorized P.O.D. on Dobbs Slough.   |  | Lands irrigated by Hefner under C 36609 requesting a change of P.O.D. to the Dobbs Slough Ditch authorized P.O.D.   |
|  | Lands irrigated by Perry under C 36609 having the authorized P.O.D. on Dobbs Slough.    |  | Lands irrigated by Perry under C 36609 requesting a change of P.O.D. to the Dobbs Slough Ditch authorized P.O.D.    |
|  | Lands irrigated by Anderson under C 36609 having the authorized P.O.D. on Dobbs Slough. |  | Lands irrigated by Anderson under C 36609 requesting a change of P.O.D. to the Dobbs Slough Ditch authorized P.O.D. |



**PROPOSED POINT OF DIVERSION**

SCALE 1" = 1320'



NOTE: The preparation of this map was for the purpose of identifying the location of the proposed water right and has no intent to provide dimensions or location of property ownership lines. Location information shown hereon was furnished by the applicant.

**RECEIVED**  
NOV 24 1995  
WATER RESOURCES DEPT.  
SALEM, OREGON

T 7450  
**APPLICATION MAP  
FOR  
CHANGE IN POINT OF DIVERSION  
FOR JOHN HEFNER, FRANCES ANDERSON  
AND JAMES PERRY**  
BY  
BAGETT - GRIFFITH & BLACKMAN  
2006 ADAMS AVENUE  
LAGRANDE, OREGON 97850

NOVEMBER 1, 1995

APPLICATION NO. \_\_\_\_\_  
PERMIT NUMBER \_\_\_\_\_