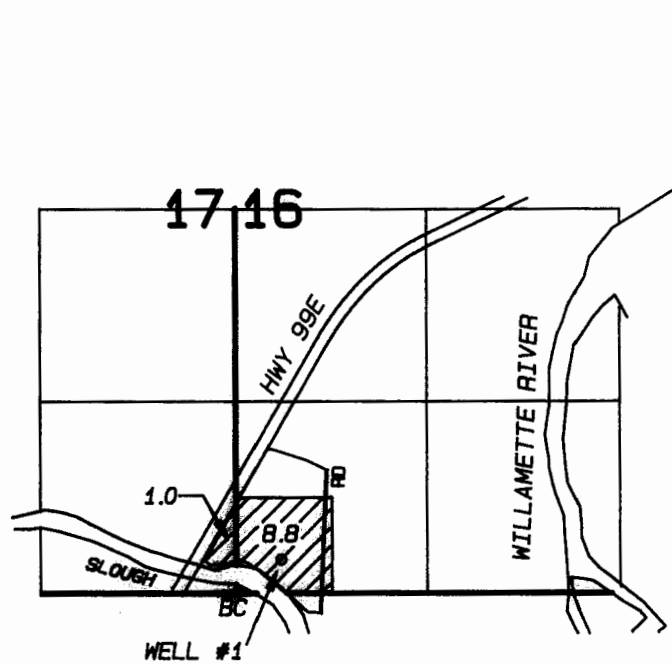


RECEIVED

T 15 S, R 4 W, W.M.

SEP 22 1997

WATER RESOURCES DEPT.
SALEM, OREGON



EAST
WELL #1, NORTH 235' & WEST 310' FROM SE CORNER SEC 17

1" = 1320'

FINAL PROOF SURVEY

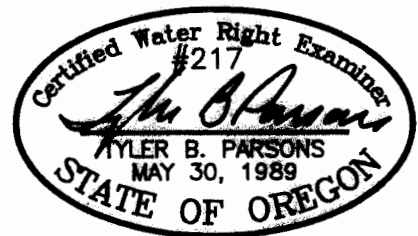
UNDER

Application No. G-13432 Permit No. G-11916

IN THE NAME OF

PAUL FREEMAN

Surveyed 7/6/96
PARSONS SURVEYING
1915 SE Stone Street
Corvallis, OR 97333
(503) 752-7515
PROJECT #9607FP1R

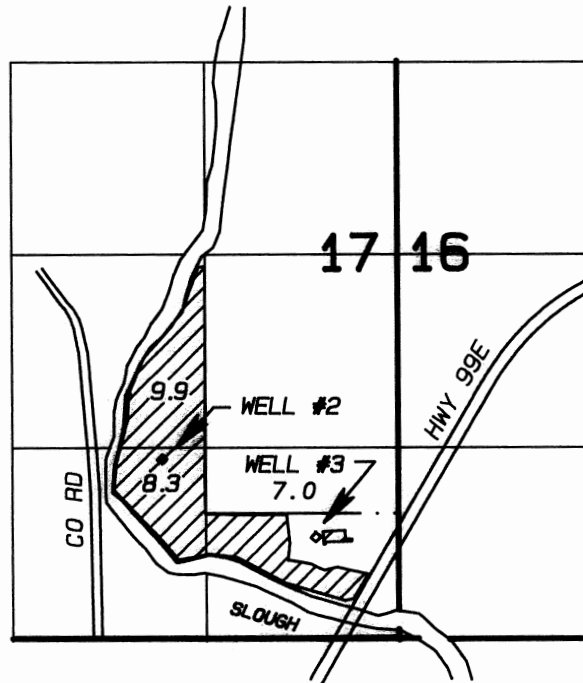


NOTE: Map is for purpose of identifying location of water right and does not dimension or locate property ownership lines.

EXP: 12/31/98

* Revised by OW&D to correctly show the coordinates of the well.
cnn 10/11/2016 WRD

T 15 S, R 4 W, W.M.



RECEIVED

NOV 19 1996

WATER RESOURCES DEPT.
SALMON DIVISION

WELL #2, NORTH 1240' & WEST 1615' FROM SE CORNER SEC 17
WELL #3, NORTH 700' & WEST 570' FROM SE CORNER SEC 17

1" = 1320'

FINAL PROOF SURVEY

UNDER

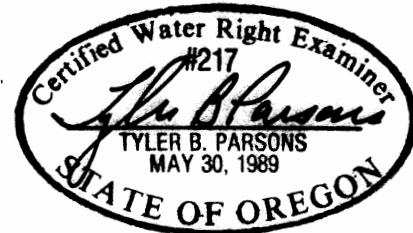
Application No. G-13432 Permit No. G-11916

IN THE NAME OF

DAN & DEBBIE WITTEKIND

Surveyed AUGUST 6, 1996
PARSONS SURVEYING
1915 SE Stone Street
Corvallis, OR 97333
(503) 752-7515
PROJECT #9607 FP2

NOTE: Map is for purpose of identifying
location of water right and does not dimension
or locate property ownership lines.



EXP: 12/31/96