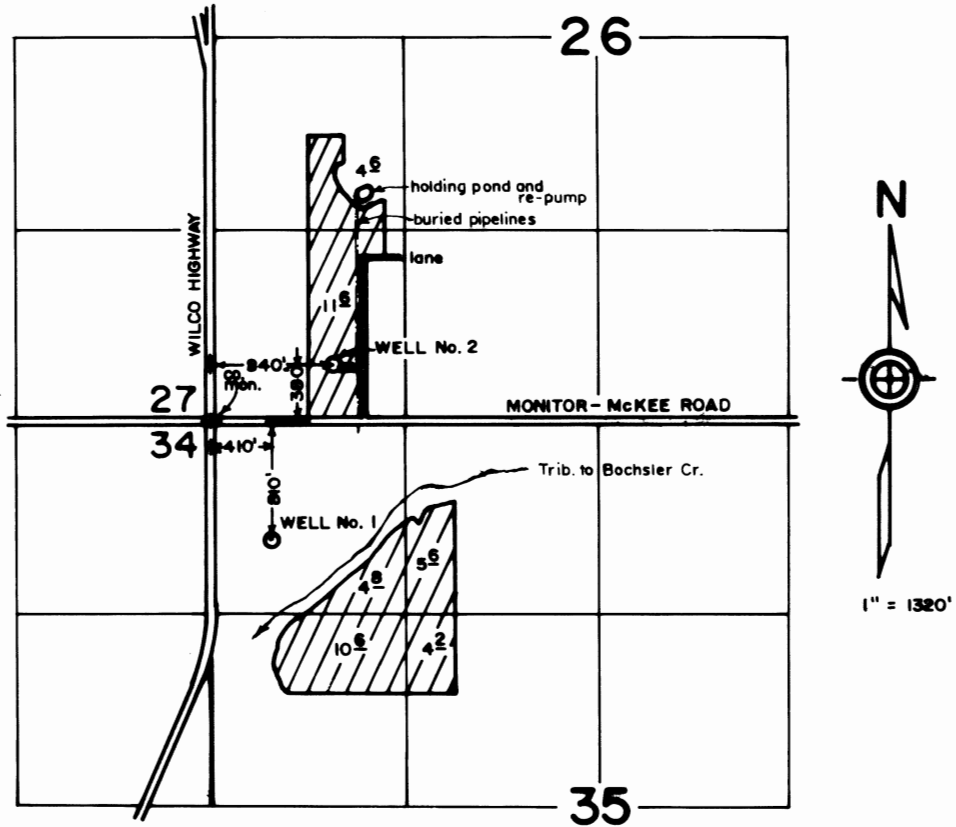


# Township 5 South, Range 1 West, W.M.

Portions of Sections 26, 27, 34 & 35



FINAL PROOF SURVEY  
under

Appl. No. G-12636, Per. No. G-11811  
in name of

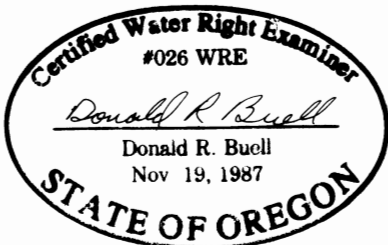
WAYNE BOCHSLER

Jan. 10, 1996

**RECEIVED**

FEB - 7 1996

WATER RESOURCES DEPT.  
SALEM, OREGON



THIS MAP WAS PREPARED FOR THE PURPOSE OF IDENTIFYING THE LOCATION OF A WATER RIGHT ONLY AND IS NOT INTENDED TO PROVIDE LEGAL DIMENSIONS OR LOCATION OF PROPERTY OWNERSHIP LINES.