

RECEIVED BY OWRD

AUG 20 2012

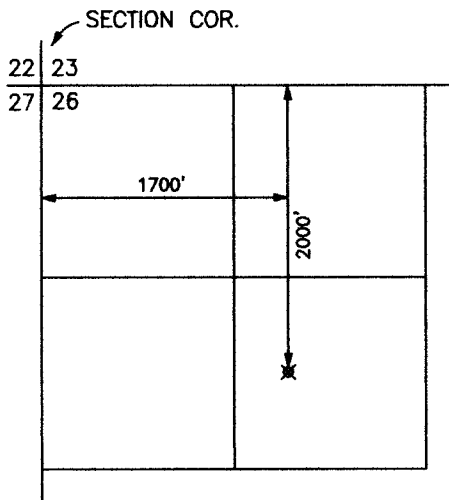
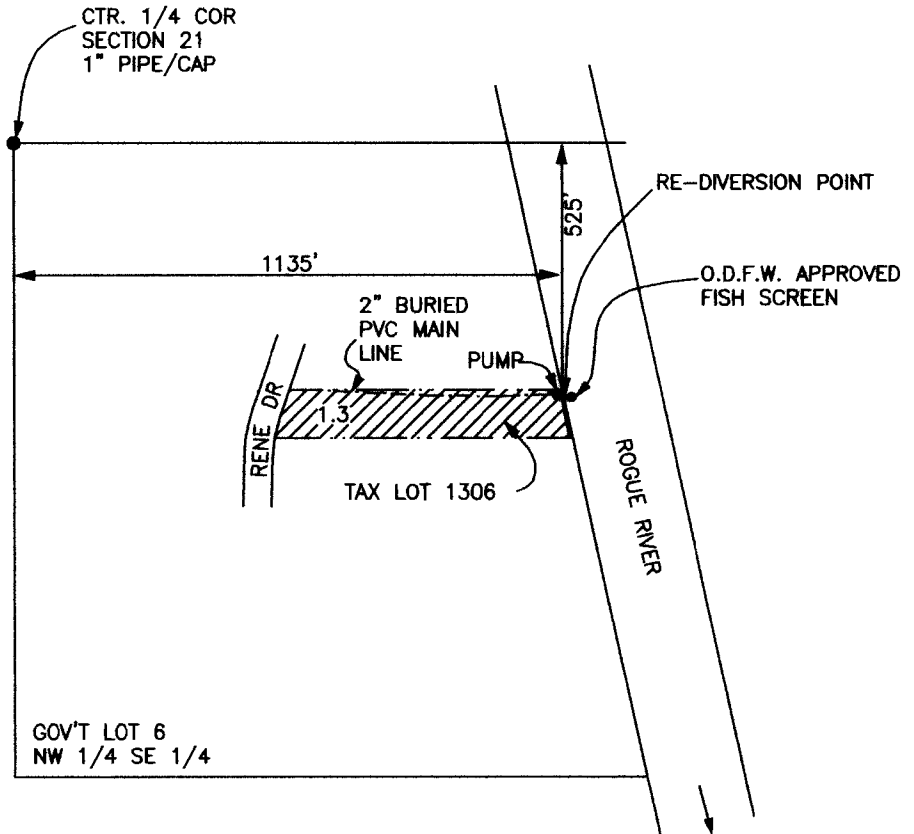
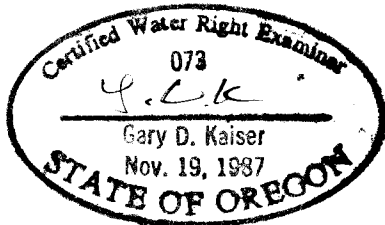
SALEM, OR

T.34S.,R.1W.,W.M.  
Jackson County, Oregon  
Tax Lot No. 341W21D - 1306  
ROGUE RIVER BASIN



SCALE 1" = 400'

NOTE: MAP PREPARED FOR  
WATER RIGHT PURPOSES ONLY,  
NOT FOR PROPERTY BOUNDARY  
LOCATIONS.



LOST CREEK RESERVOIR  
POINT OF DIVERSION  
T.33S.,R.1E.,W.M.  
SCALE 1" = 1320'

**CLAIM OF BENEFICIAL USE MAP**

APPLICATION No. S-73835  
PERMIT No. S-52487

FOR: DONALD & CAROL MONTAG  
2605 MERCEDS AVE.  
HIGHLAND, CA 92346

PREPARED BY: GARY D. KAISER  
KAISER SURVEYING  
19440 HWY. 62  
EAGLE POINT, OR. 97524

AUGUST 3, 2012