

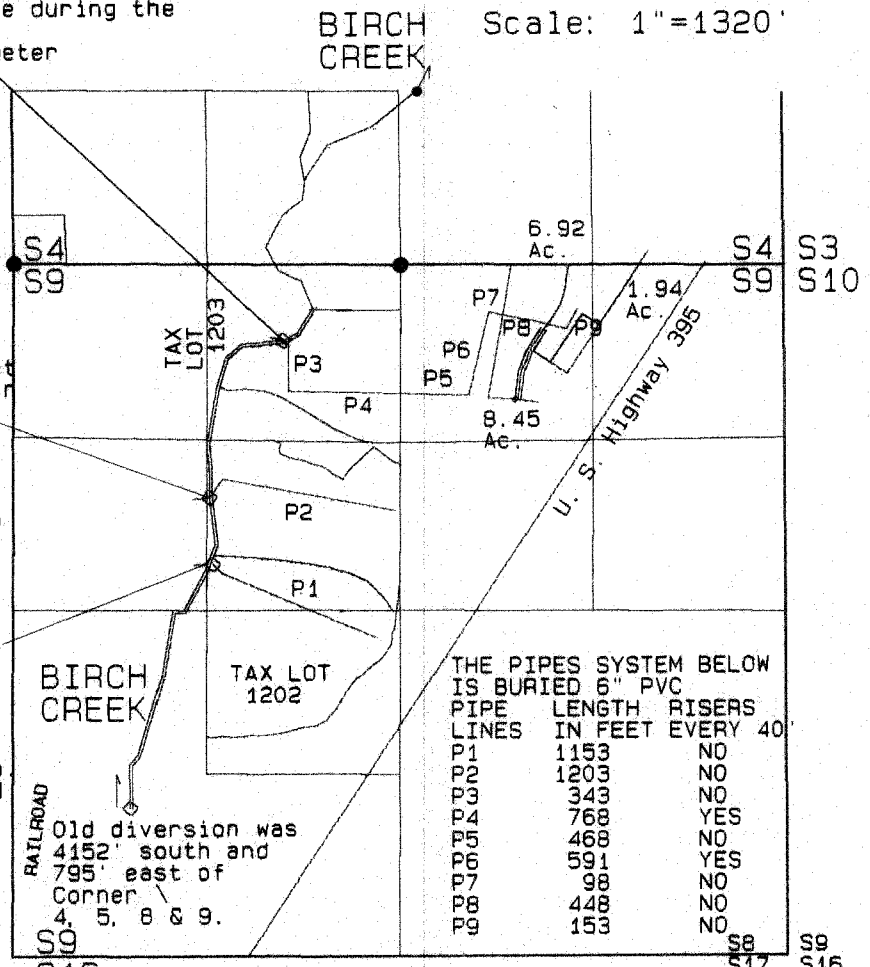
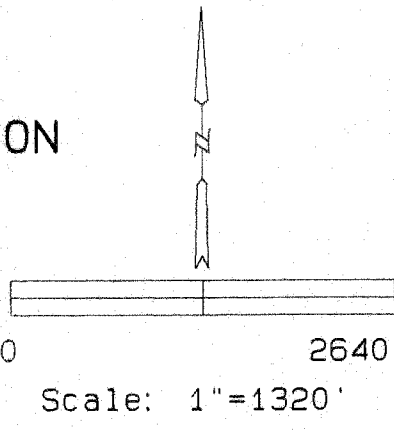
FINAL PROOF SURVEY FOR CHANGE IN POINT OF DIVERSION APPLICATION T-9776

POD # 3 is in the NE1/4 of the NW1/4, Sec. 9, T.1 S., R. 32 E., W. M., 538 feet South and 1848 feet East of the northwest corner of Section 9. It has an in place ODFW fish screen & 6" suction line and a power drop. The pumping setup is mounted on a small trailer which can be stored elsewhere during the off season. The setup has a McCrometer meter and a pump driven by an electric motor from the power drop. When pump is present, this setup feeds a 6" mainline to the east of Birch Creek.

Two inch pipe at Section Corner.

POD # 2 is in the SE1/4 of the NW1/4, Sec. 9, T.1 S., R. 32 E., W. M., 1617 feet South and 1339 feet East of the northwest corner of Section 9. It has an ODFW fish screen, a suction line and an electrical power drop. When pump is present, this setup feeds a 6" mainline to the east of Birch Creek.

POD #1 is in the SE1/4 of the NW1/4, Sec. 9, T.1 S., R. 32 E., W. M., 2075 feet South and 1315 feet East of the northwest corner of Section 9. It has an in place ODFW fish screen, a 6" suction line and a nearby power drop. The pumping setup is mounted on a small trailer which can be used at POD #2 or stored elsewhere during the off season. The setup has a McCrometer meter and a pump driven by an electric motor. It feeds a 6" mainline to the east of Birch Creek.



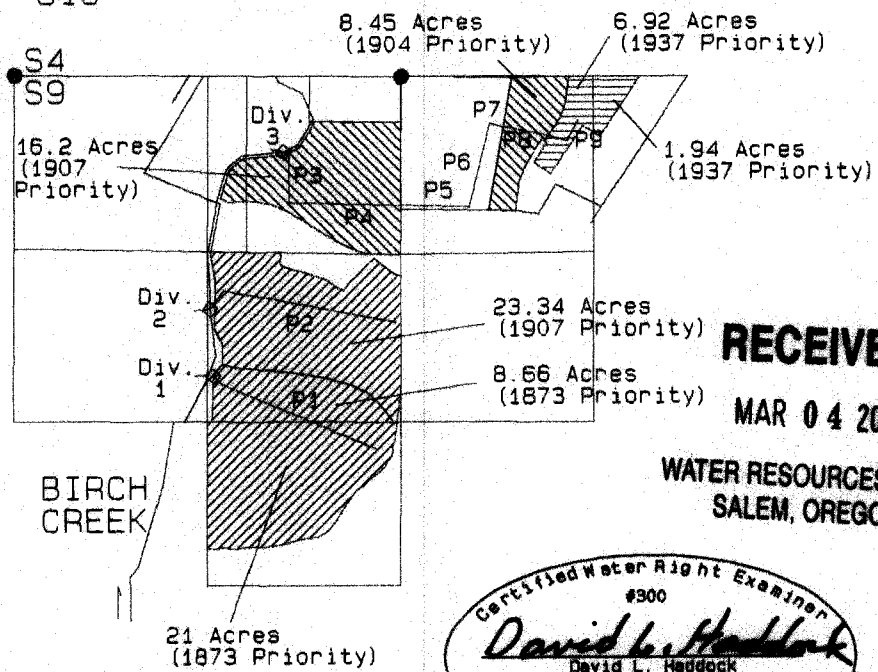
THE PIPES SYSTEM BELOW IS BURIED 6" PVC PIPE LINES IN FEET EVERY 40'

PIPES	LENGTH IN FEET	RISERS EVERY 40'
P1	1153	NO
P2	1203	NO
P3	343	NO
P4	768	YES
P5	468	NO
P6	591	YES
P7	98	NO
P8	448	NO
P9	153	NO

Old diversion was 4152' south and 795' east of Corner 4, 5, 8 & 9.

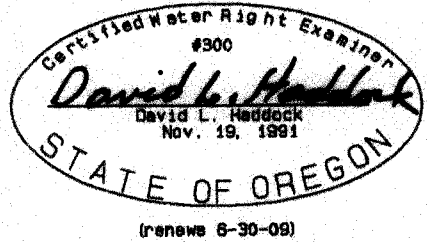
Acres Served by -

Diversion	Priority	Acres
Diversion 3	1937	1.94
- NENE	1937	6.92
- NWNE	1904	8.45
- NENW	1907	16.20
Total		33.51
Diversion 2	1907	23.34
-SENE	1873	8.66
-NESW	1873	21.00
Total		29.66
Grand Total		86.51



RECEIVED
MAR 04 2009

WATER RESOURCES DEPT
SALEM, OREGON



The intent of this application is to change the point of diversion only. There is no other intended change in the water right. Under OAR 690-380-3100 (2) (D), I am submitting a modified (new distribution system) Final Proof Survey / L. H. Nunn A75 as new Claim of Beneficial Use.

NOTE: The information shown on this map is solely for Water Rights purposes. The data shown does not represent ownership information.

<p>Survey Date: September, 2008</p> <p style="text-align: center;">SURVEY FOR Mr. William Weinke P. O. Box 797 Pilot Rock, OR 97868</p>	<p>David L. Haddock, Surveyor and Engineer P.O. Box 1874 Pendleton, Oregon 97801 (541) 976-9174</p> <p style="text-align: center;">HADDOCK SURVEYING</p> <p style="text-align: center;">GPS AND TOTAL STATION</p>
---	--