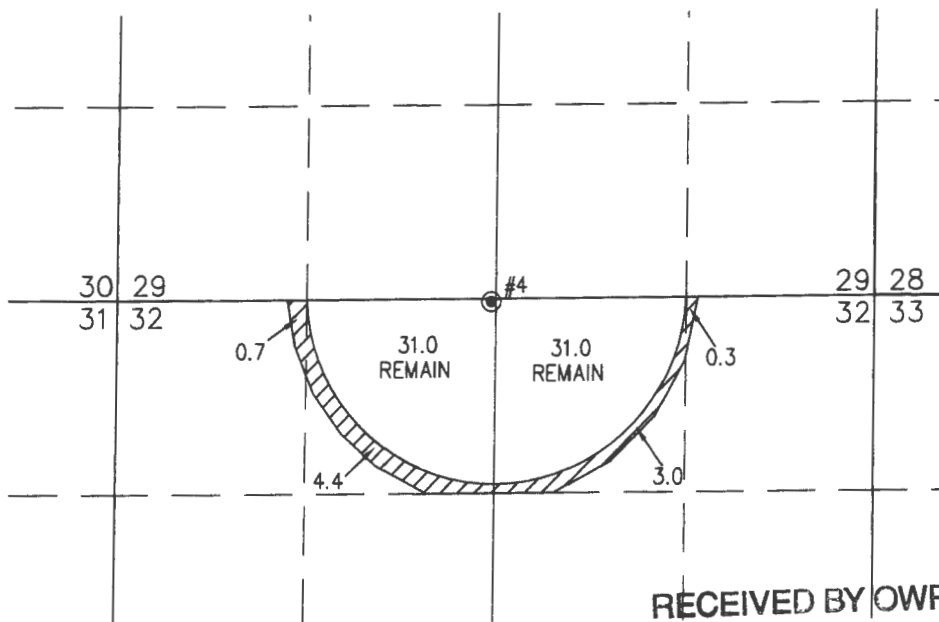


MAP TO ACCOMPANY APPLICATION TO CHANGE PLACE OF USE AND POINT OF APPROPRIATION FOR JRS PROPERTIES III

"FROM" TAX LOT 2800 IN
SECTION 32, TOWNSHIP 27 SOUTH, RANGE 19 EAST, W.M.
LAKE COUNTY, OREGON



SCALE 4" = 1 MILE



RECEIVED BY OWRD

JAN 31 2017

SALEM, OR

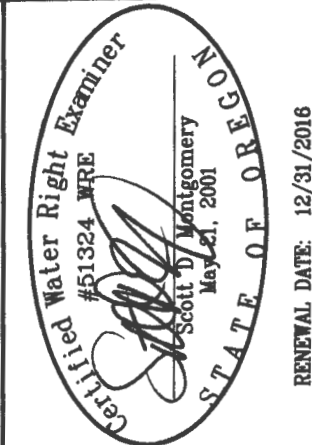
THIS MAP IS FOR THE PURPOSE OF
LOCATING A WATER RIGHT ONLY AND HAS
NO INTENT TO PROVIDE LEGAL DIMENSIONS
OR THE LOCATION OF PROPERTY LINES.



8.4 ACRES WATER RIGHTS FROM C #34170
(G-676) TRANSFERRED, AS SHOWN
62.0 ACRES REMAIN.

LAKE 1201 PERMITS G-662 & G-676

- #4 WELL LOCATED IN THE NE 1/4 NW 1/4 SECTION 29 AND 20 FEET SOUTH AND 2580 FEET EAST FROM THE NORTHWEST CORNER OF SECTION 32.



**ALL POINTS ENGINEERING
& SURVEYING, INC.**

P.O. BOX 767
TERREBONNE, OREGON 97760
(541) 548-5833 PH
Scott@APEandS.com
www.APEandS.com

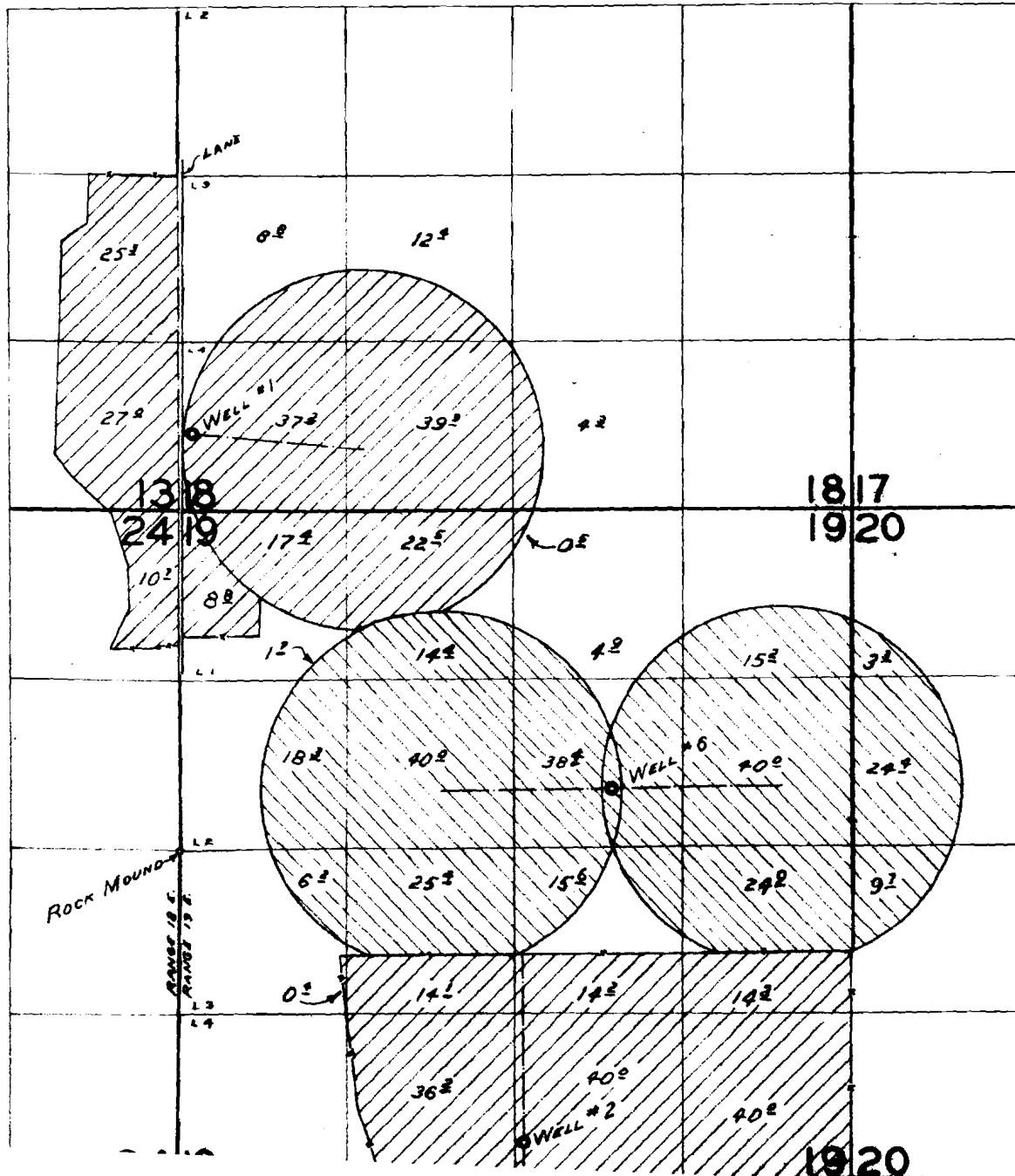
PROJECT No. 13-028

PREPARED AT THE REQUEST OF:

JRS PROPERTIES III
P.O. BOX 27
BOISE, ID 83707

T 12583

T.27S.R.18&19E.W.M.



FINAL PROOF SURVEY
UNDER

APPLICATION NO.

PERMIT NO.

G-776

G-662

G-777

G-676

G-728

G-697

G-727

G-696

G-2085

G-1915

G-2166

G-1997

IN NAME OF

WEST SACRAMENTO ENTERPRISES INC.

SURVEYED SEP. 19, 1962 by C. R. BAKER
SEP. 9, 1964 by R. JACKSON

