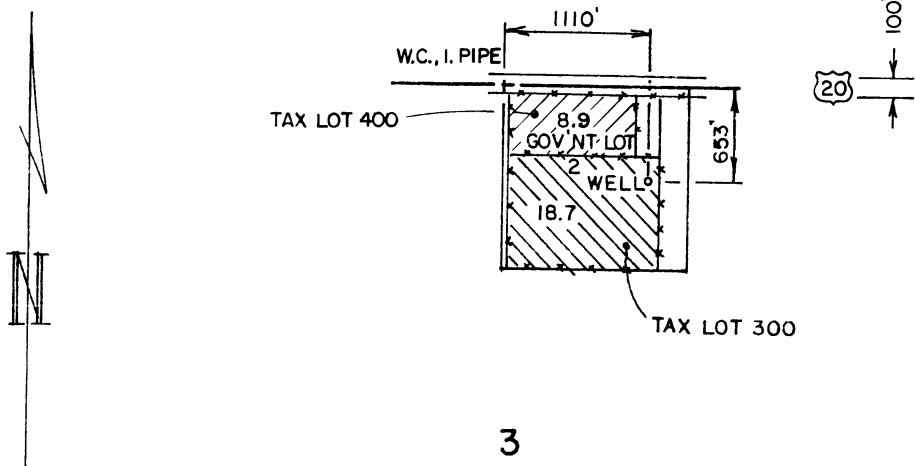


# T23S, R 31E, WM



3

THE PURPOSE OF THIS MAP IS TO IDENTIFY THE LOCATION OF THE WATER RIGHT. IT IS NOT INTENDED TO PROVIDE INFORMATION RELATIVE TO THE LOCATION OF PROPERTY OWNERSHIP.

- /// PERMIT G-13168 (ZABALA)
- /// PERMIT G-13204 (AJURIA)

RECEIVED

WATER RESOURCES DIV  
SALEM, OREGON

<p>RENEW 1-1-2007</p>	<b>FINAL PROOF SURVEY</b>		IN THE NAME OF PEDRO & TONI ZABALA IGANICO AJURIA
	UNDER APPLICATIONS G-14348 & G-14347 PERMITS G-13168 & G-13204		
	Scale: 4" = 1 MILE	Date: SEPT. 2006	Job: 16368-06
	Dsn:	<b>M. A. PALMER &amp; SONS, INC.</b> ENGINEERING & SURVEYING 254 N. Alder - Box 61 Burns, Oregon 97720	Sht. No.
Drn: CHRIS	of 1		
Ckd:			