



# FINAL PROOF MAP T-9845 L & L FARMS

FROM



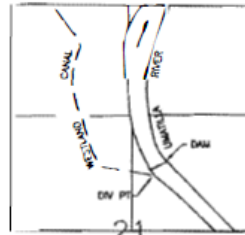
T3N R28E WM

117.7 Acres Permit 25920 Cert. 76050 Primary  
and Permit G-8570 Cert. 75121 Supplemental

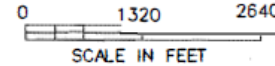
TO



T.3N., R.29E., W.M.



DIV PT LCT N.76°45'56"E. 2913.19'  
FROM W.1/4 COR. SEC 21



PRIMARY



5.3 Acres Permit 25920 Cert. 76050. Existing  
Permit 48968 Cert. 80958 on to ground, to  
become supplemental to incoming 76050.

PRIMARY

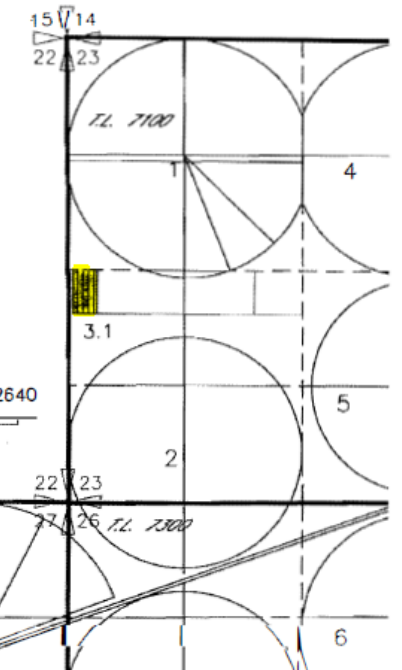
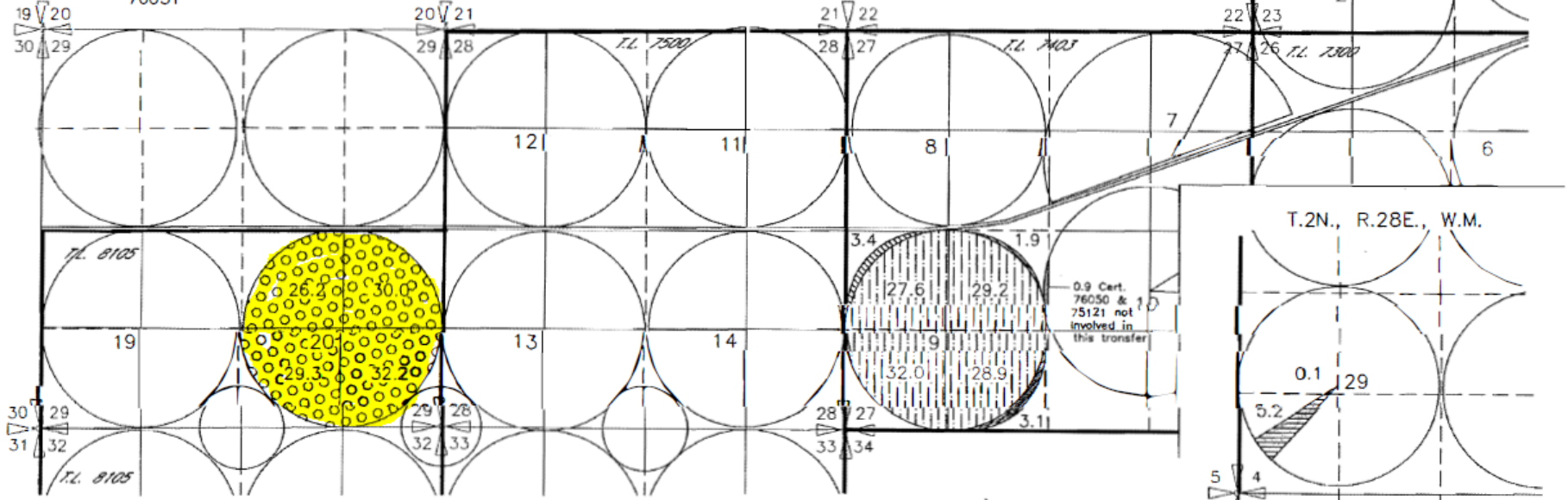


PRIMARY

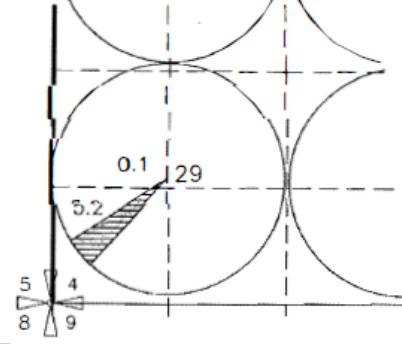


3.1 Acres Permit G-8570 Cert. 75121 to  
become supplemental to Permit 25924 Cert.  
76051

SUPPLEMENTAL



T.2N., R.28E., W.M.



0.9 Cert.  
76050 & 1  
75121 not  
involved in  
this transfer

NOTE:  
THE PURPOSE OF THIS MAP IS TO IDENTIFY THE APPROXIMATE LOCATION  
OF THE WATER RIGHT. IT IS NOT INTENDED TO PROVIDE INFORMATION  
RELATIVE TO THE LOCATION OF PROPERTY OWNERSHIP BOUNDARY LINES.



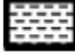
**SCM** Consultants, Inc.  
A Tetra Tech Company

# L & L Farms Final Proof Map T-10251



**T 2N R 28 E.W.M.**

**HATCHING LEGEND**

- 
**5.5 AC** G-8597; Cert 759121 **PRIMARY**
- 
**5.5 AC** SUPPLEMENTAL (CERT 81417)
- 
**46.2 AC**

