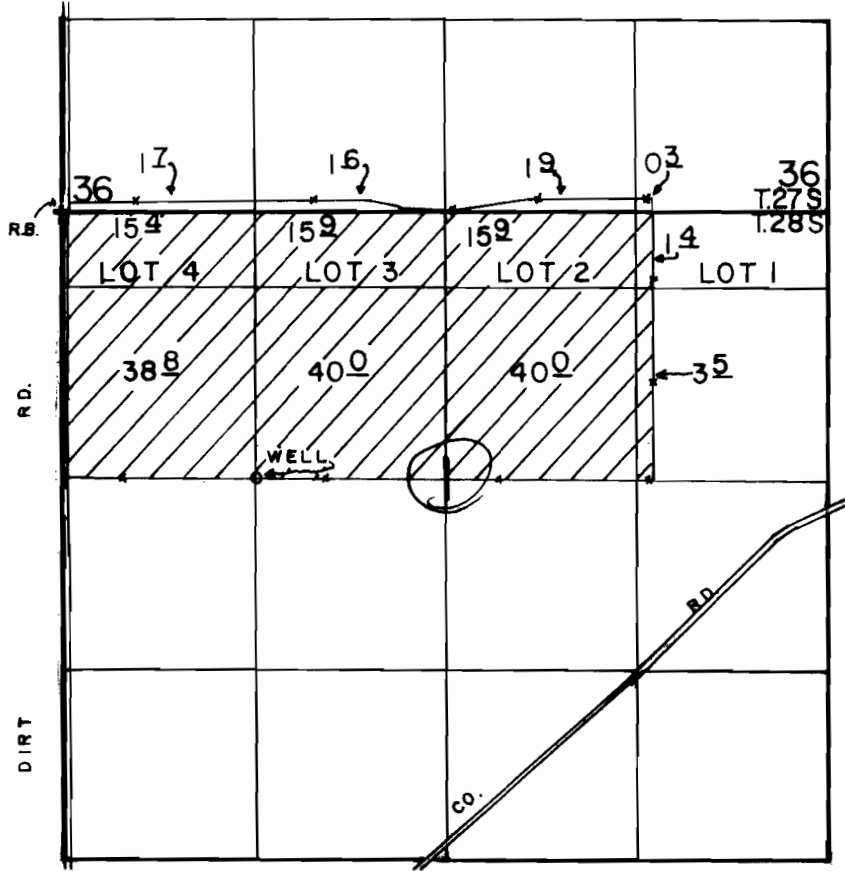


T. 27 & 28 S., R. 16 E., W.M.



WELL LOC: 1850' S. & 1340' E. FROM NW COR. OF SECI.

SCALE 1" = 1320'

FINAL PROOF SURVEY UNDER

Application No. G-11612 Permit No. G-10718
IN NAME OF

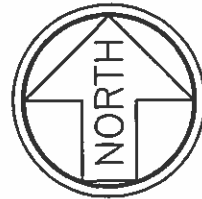
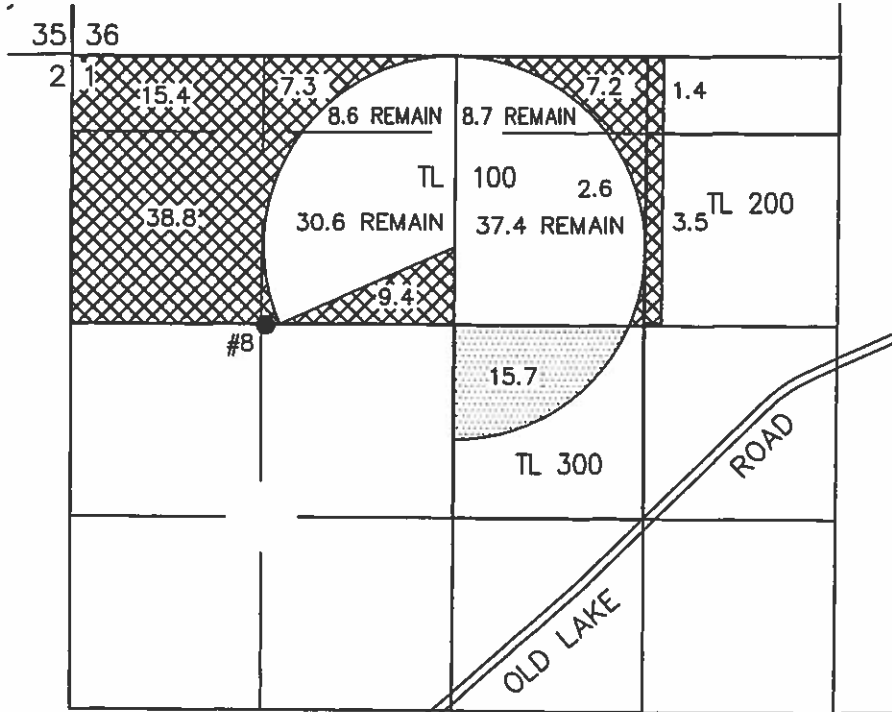
ZANE D. CHURCH

Surveyed APRIL 8., 1992, by B.W. BISHOP

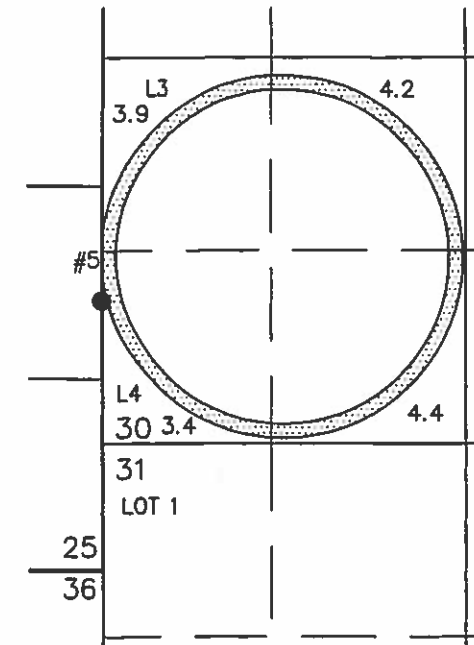
FROM TAX LOTS 100 & 300
IN SECTION 1, TOWNSHIP 28 SOUTH, RANGE 16 EAST, W.M.
LAKE COUNTY, OREGON

TRANSFER MAP TO ACCOMPANY APPLICATION
TO CHANGE PLACE OF USE & ADD POINTS
OF APPROPRIATION FOR
CHURCH FAMILY FARMS, INC.

TO TAX LOT 1900 IN SECTION 30,
TOWNSHIP 27 SOUTH, RANGE 17 EAST, W.M.
LAKE COUNTY, OREGON



SCALE 4" = 1 MILE



31.6 ACRES PRIMARY GROUND WATER RIGHTS FROM CERTIFICATE #86164 (G-10718) TRANSFERRED "TO" AS SHOWN.

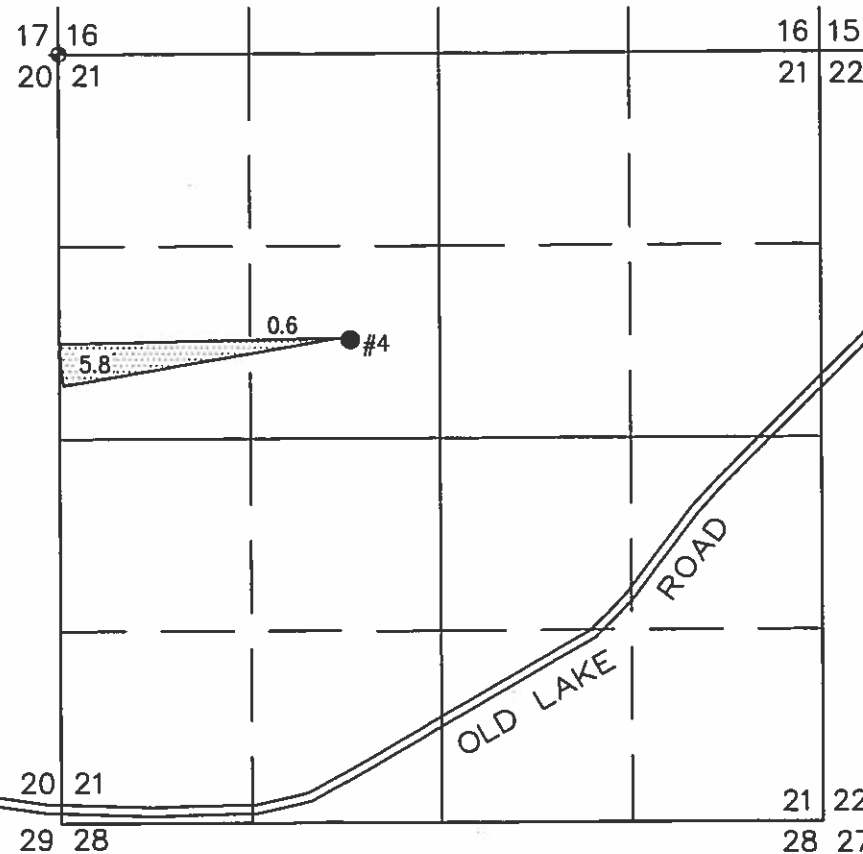
WELL #5 (LAKE 51631-G8100) IN THE NE 1/4 SE 1/4 SECTION 25, T27S R16E, W.M. LOCATED 800 FEET SOUTH AND 10 FEET WEST FROM THE E 1/4 CORNER OF SECTION 25.

85.6 ACRES PRIMARY GROUND WATER RIGHTS FROM CERTIFICATE #86164 (G-10718) TRANSFERRED "FROM" AS SHOWN.

WELL #8 (LAKE 1369-G10718) IN THE SE 1/4 NW 1/4 SECTION 1, T28S R16E, W.M. LOCATED 1850 FEET SOUTH AND 1340 FEET EAST FROM THE NW CORNER OF SECTION 1.

15.7 ACRES PRIMARY GROUND WATER RIGHTS FROM CERTIFICATE #86164 (G-10718) TRANSFERRED "TO" AS SHOWN.

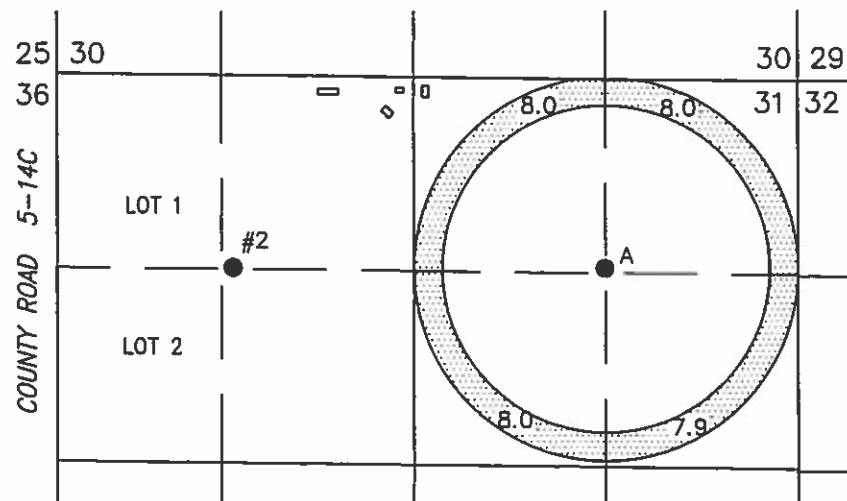
TO TAX LOT 100 IN SECTION 21,
TOWNSHIP 28 SOUTH, RANGE 16 EAST, W.M.
LAKE COUNTY, OREGON



6.4 ACRES PRIMARY GROUND WATER RIGHTS FROM CERTIFICATE #86164 (G-10718) TRANSFERRED "TO" AS SHOWN.

WELL #4 (LAKE 1411-G8199) IN THE SE 1/4 NW 1/4 SECTION 21, T28S R16E, W.M. LOCATED 1990 FEET SOUTH AND 3280 FEET WEST FROM THE NE CORNER OF SECTION 21.

TO TAX LOT 200 IN SECTION 31,
TOWNSHIP 26 SOUTH, RANGE 18 EAST, W.M.
LAKE COUNTY, OREGON



WELL A (LAKE 687) IN THE NE 1/4 SECTION 31, T26S R18E, W.M. LOCATED 1410 FEET NORTH AND 1320 FEET EAST FROM THE C 1/4 CORNER OF SECTION 31.

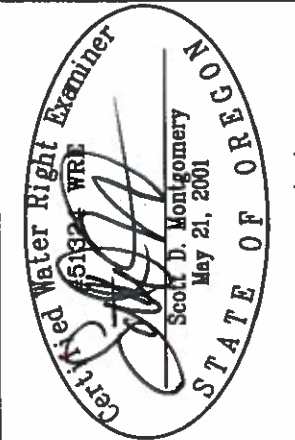
31.9 ACRES PRIMARY GROUND WATER RIGHTS FROM CERTIFICATE #86164 (G-10718) TRANSFERRED "TO" AS SHOWN.

THIS MAP IS FOR THE PURPOSE OF LOCATING A WATER RIGHT ONLY AND HAS NO INTENT TO PROVIDE LEGAL DIMENSIONS OR THE LOCATION OF PROPERTY LINES.

RECEIVED

FEB 11 2019

OWRD



RENEWAL DATE: 12/31/2020

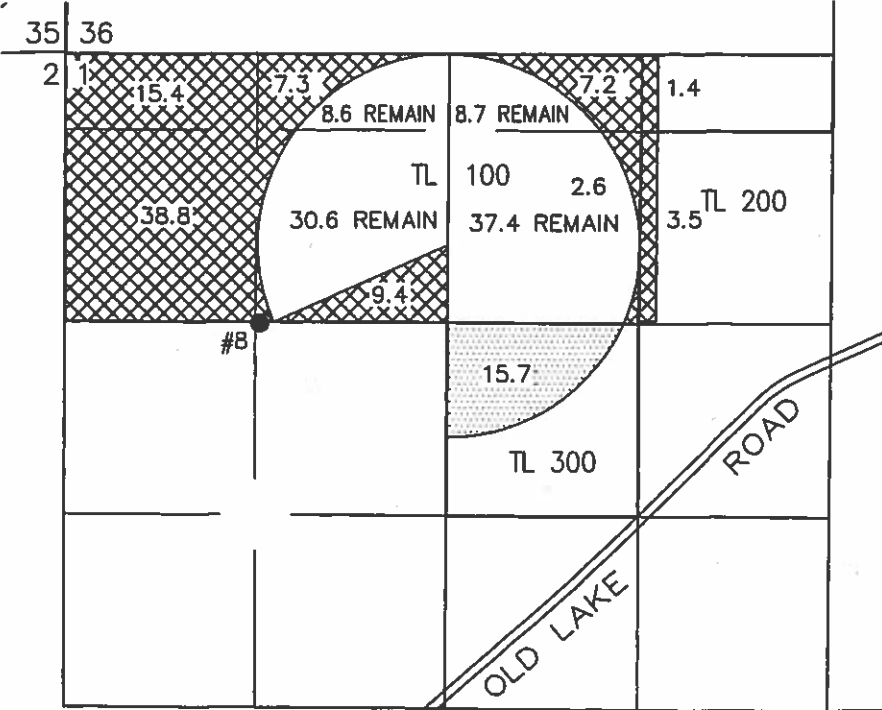
ALL POINTS ENGINEERING
& SURVEYING, INC.

P.O. BOX 767
TERREBONNE, OREGON 97760
(541) 548-5833 PH
(844) 273-9878 FX
www.APEandS.com

PROJECT No. 18-050

PREPARED AT THE REQUEST OF:
CHURCH FAMILY FARMS, INC.
P.O. BOX 751
CHRISTMAS VALLEY, OR 97641

FROM TAX LOTS 100 & 300
IN SECTION 1, TOWNSHIP 28 SOUTH, RANGE 16 EAST, W.M.
LAKE COUNTY, OREGON

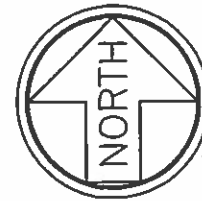


85.6 ACRES PRIMARY GROUND WATER RIGHTS FROM CERTIFICATE #86164 (G-10718) TRANSFERRED "FROM" AS SHOWN.

15.7 ACRES PRIMARY GROUND WATER RIGHTS FROM CERTIFICATE #86164 (G-10718) TRANSFERRED "TO" AS SHOWN.

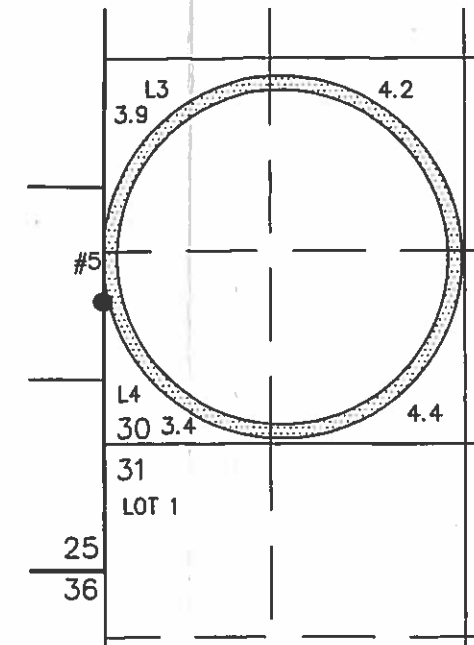
WELL #8 (LAKE 1369-G10718) IN THE SE 1/4 NW 1/4 SECTION 1, T28S R16E, W.M. LOCATED 1850 FEET SOUTH AND 1340 FEET EAST FROM THE NW CORNER OF SECTION 1.

TRANSFER MAP TO ACCOMPANY APPLICATION TO CHANGE PLACE OF USE & ADD POINTS OF APPROPRIATION FOR CHURCH FAMILY FARMS, INC.



SCALE 4" = 1 MILE

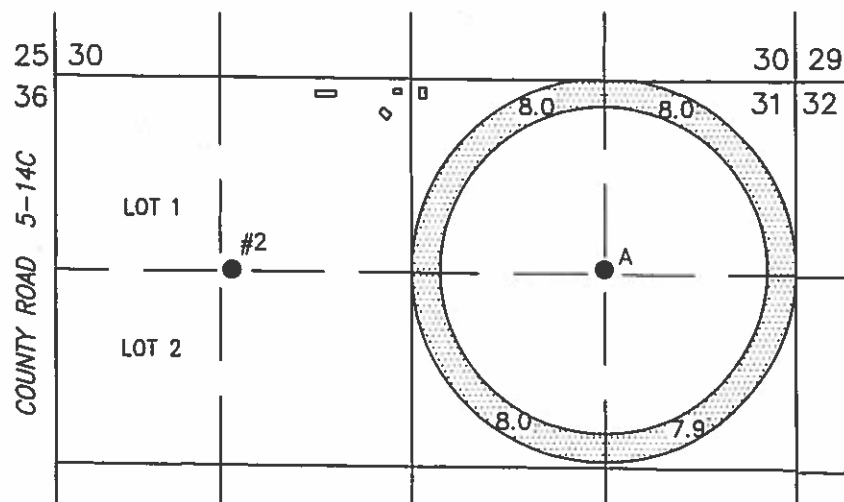
TO TAX LOT 1900 IN SECTION 30,
TOWNSHIP 27 SOUTH, RANGE 17 EAST, W.M.
LAKE COUNTY, OREGON



31.6 ACRES PRIMARY GROUND WATER RIGHTS FROM CERTIFICATE #86164 (G-10718) TRANSFERRED "TO" AS SHOWN.

WELL #5 (LAKE 51631-G8100) IN THE NE 1/4 SE 1/4 SECTION 25, T27S R16E, W.M. LOCATED 800 FEET SOUTH AND 10 FEET WEST FROM THE E 1/4 CORNER OF SECTION 25.

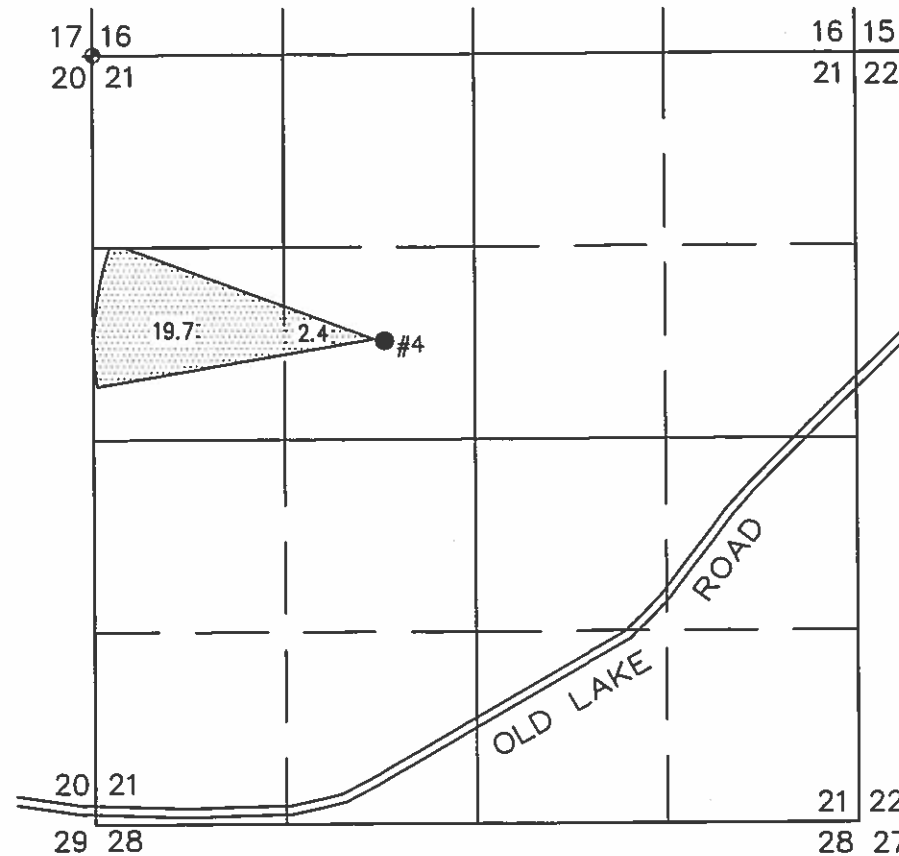
TO TAX LOT 200 IN SECTION 31,
TOWNSHIP 26 SOUTH, RANGE 18 EAST, W.M.
LAKE COUNTY, OREGON



WELL A (LAKE 687) IN THE NE 1/4 NE 1/4 SECTION 31, T26S R18E, W.M. LOCATED 1410 FEET NORTH AND 1320 FEET EAST FROM THE C 1/4 CORNER OF SECTION 31.

31.9 ACRES PRIMARY GROUND WATER RIGHTS FROM CERTIFICATE #86164 (G-10718) TRANSFERRED "TO" AS SHOWN.

TO TAX LOT 100 IN SECTION 21,
TOWNSHIP 28 SOUTH, RANGE 16 EAST, W.M.
LAKE COUNTY, OREGON

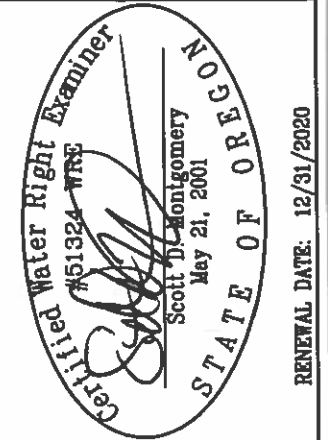


WELL #4 (LAKE 1411-G8199) IN THE SE 1/4 NW 1/4 SECTION 21, T28S R16E, W.M. LOCATED 1990 FEET SOUTH AND 3280 FEET WEST FROM THE NE CORNER OF SECTION 21.

22.1 ACRES PRIMARY GROUND WATER RIGHTS FROM CERTIFICATE #86164 (G-10718) TRANSFERRED "TO" AS SHOWN.

THIS MAP IS FOR THE PURPOSE OF LOCATING A WATER RIGHT ONLY AND HAS NO INTENT TO PROVIDE LEGAL DIMENSIONS OR THE LOCATION OF PROPERTY LINES.

RECEIVED
FEB 11 2019
OWRD



ALL POINTS ENGINEERING & SURVEYING, INC.

P.O. BOX 767
TERREBONNE, OREGON 97760
(541) 548-5833 PH
(844) 273-9878 FX
www.APEandS.com

PROJECT No. 18-050

PREPARED AT THE REQUEST OF:
CHURCH FAMILY FARMS, INC.
P.O. BOX 751
CHRISTMAS VALLEY, OR 97641