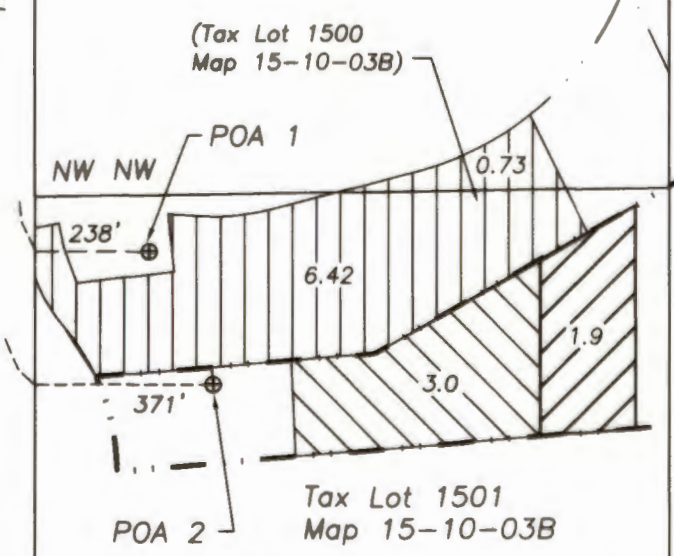


33 | 34

4 | 3

NW CORNER  
SEC. 3

1701'  
1425'



Section 3  
T15S, R10E, W.M.  
Deschutes Co. OR

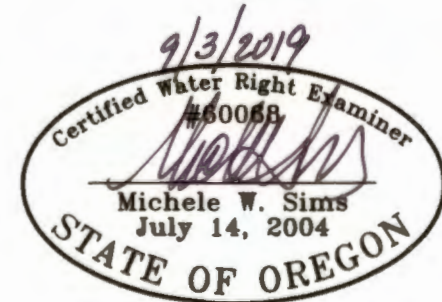
SW NW

# Claim of Beneficial Use Water Rights Transfer T-12509

RECEIVED

SEP 16 2019

OWRD



Renewal date: 6/30/2020



Water beneficially used under  
T-12509, priority date 12/17/1990



Certificate 93281, priority  
12/17/1990



Water transferred under T-11754,  
priority date 12/17/1990



Property line



GRAPHIC SCALE - FEET