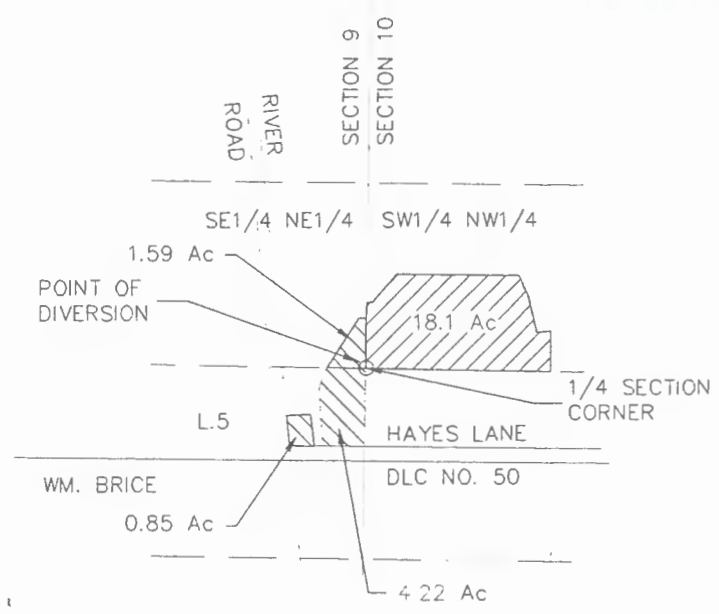


**T.16S., R.4W., W.M.
 SECTIONS 9 AND 10
 FINAL PROOF MAP
 APPLICATION NO. G-13003
 PERMIT NO. G-42200 12065
 LORENCE R. EDWARDS
 TAX LOTS 801 AND 804
 MAP NO. 16-04-09
 LANE COUNTY, OREGON
 SEPTEMBER, 1999**

RECEIVED
 SEP 2nd 1999
 WATER RESOURCES DEPT.
 SALEM, OREGON



SCALE 1"=1320'

POINT OF DIVERSION

WELL IS 3 FEET NORTH & 5 FEET
 WEST OF THE EAST 1/4 CORNER OF
 SECTION 9. (24.76 Ac)

THIS MAP IS FOR THE PURPOSE OF
 LOCATING A WATER RIGHT AND IS NOT
 INTENDED TO PROVIDE LEGAL DIMENSIONS
 FOR LOCATION OF PROPERTY BOUNDARIES.

EGR & Associates, Inc.
 Engineers, Geologists and Surveyors
 2535B Prolife Road
 Eugene, Oregon 97402
 (541) 688-8322
 Fax (541) 688-8087