

FINAL PROOF MAP

TO CHANGE PLACE OF USE AND POINT OF APPROPRIATION
FOR APPLICATION T-9646

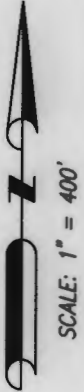
NE 1/4 OF SECTION 15,
TOWNSHIP 27 SOUTH, RANGE 17 EAST, W.M.
TAX LOTS: 1300 & 1400

RECEIVED
NOV 06 2019

OWRD


CHRISTMAS VALLEY-WAGONTIRE HWY

10 11
15 14

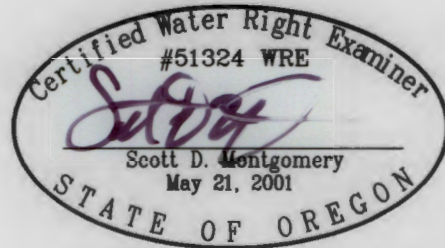


SCALE: 1" = 400'



 2.1 AC IR FROM AUTHORIZED POA

● POA (LAKE 50895)
LOCATED IN THE NW 1/4 NE 1/4 SECTION 15, T27S
R17E, W.M. AND 150 FEET SOUTH AND 1800 FEET
WEST FROM THE NE CORNER OF SECTION 15. INLINE
METER LOCATED INSIDE WELL HOUSE.



RENEWAL DATE: 12/31/2020

THIS MAP IS FOR THE PURPOSE OF LOCATING A WATER RIGHT
ONLY AND HAS NO INTENT TO PROVIDE LEGAL DIMENSIONS OR
THE LOCATION OF PROPERTY LINES

PREPARED FOR:

OUTBACK RETIREMENT CENTER, INC.
P.O. BOX 321
CHRISTMAS VALLEY, OR 97641

PREPARED BY:



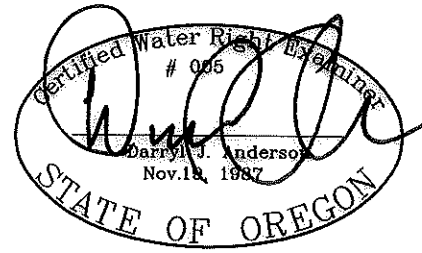
ALL POINTS ENGINEERING AND SURVEYING, INC.
P.O. BOX 767 TERREBONNE, OR 97760
(541) 548-5833 www.APEandS.com

CLAIM OF BENEFICIAL USE

FOR

PHILIP EIDE

TRANSFER NO. T-9646



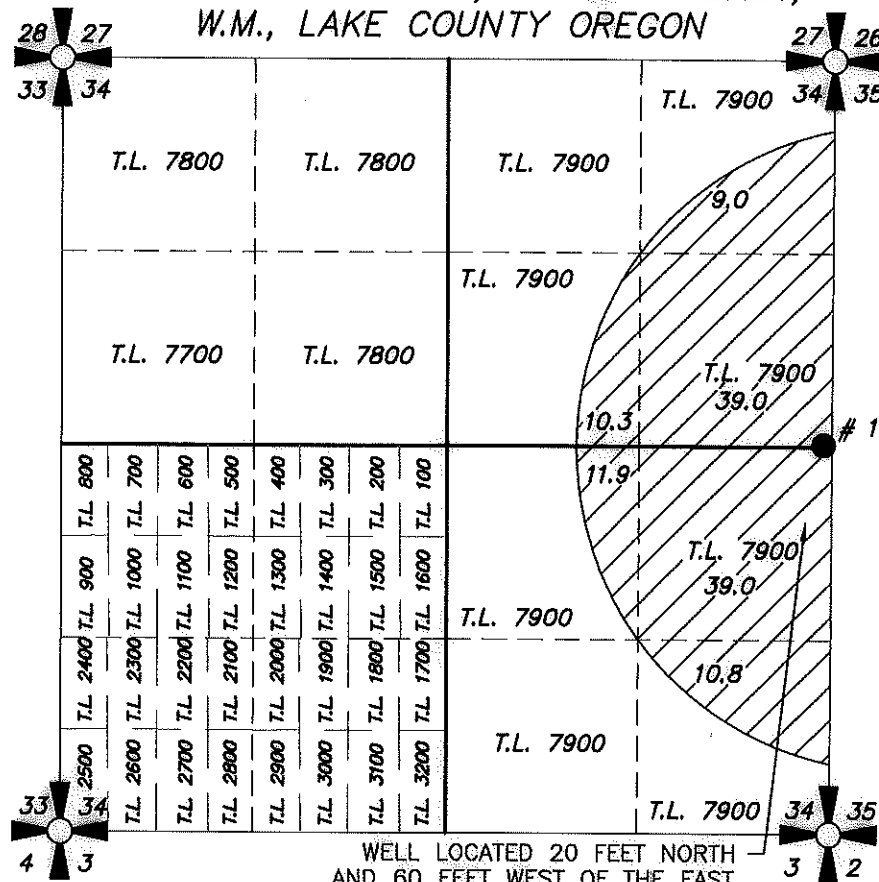
RENEWAL 12/31/21

NOTE:
PREPARATION OF THIS MAP IS FOR IDENTIFYING PROPOSED WATER RIGHTS ONLY. IT HAS NO INTENT TO PROVIDE LOCATIONS OR DIMENSIONS OF PROPERTY BOUNDARIES.

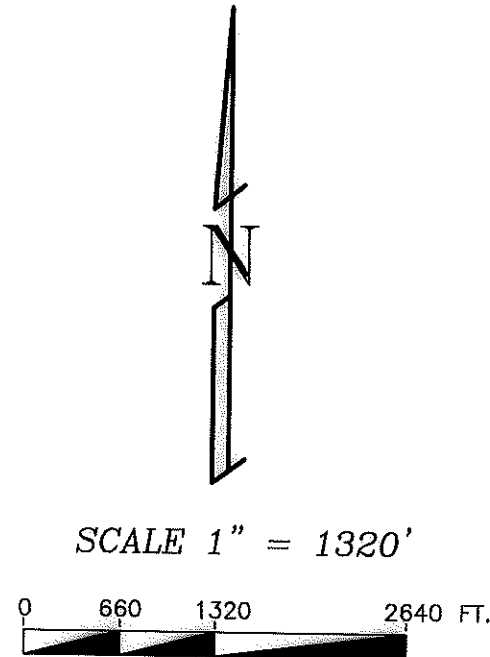
LEGEND

- SECTION CORNER AS NOTED
- POINT OF APPROPRIATION
- SECTION LINE
- 1/4 SECTION LINE
- 1/16 SECTION LINE
- TAX LOT LINE

TAX LOT 7900, SECTION 34,
TOWNSHIP 26 SOUTH, RANGE 16 EAST,
W.M., LAKE COUNTY OREGON



WELL LOCATED 20 FEET NORTH
AND 60 FEET WEST OF THE EAST
1/4 CORNER OF SECTION 34.
FLOWMETER LOCATED 5'
SOUTHEASTERLY FROM WELL



1 POA LOCATED IN SE 1/4 NE 1/4 SECTION 34, T26S R16E, W.M.,
LOCATED 20 FEET NORTH AND 60 FEET WEST FROM E 1/4 CORNER SECTION 34.
METER LOCATED 5 FEET SOUTHEASTERLY OF POA # 1

120.0 ACRES OF WATER RIGHTS FROM CERTIFICATE # 62488
(TRANSFER T-9646)

REVISION	BY

**ANDERSON ENGINEERING
AND SURVEYING, INC.**
P.O. BOX 28
LAKEVIEW, OREGON 97630
(541) 947-4407/FAX: 947-2321
WWW.ANDERSONENGINEERING.COM

FOR:
PHILIP EIDE
P.O. BOX 254
CHRISTMAS VLY, OR
(541) 410-8809

RECEIVED
DEC 06 2021
COWRD

C.O.B.U.
TRANSFER T-9646
CHRISTMAS VALLEY, OREGON

DATE:	10-28-21
SCALE:	1" = 1320'
DWG. BY:	Z.F.
JOB:	2021-148
FILE:	2021-148
SHEET:	A-1