

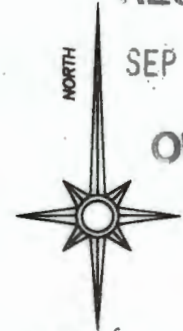
Claim of Beneficial Use

T-12882

RECEIVED

SEP 13 2021

OWRD

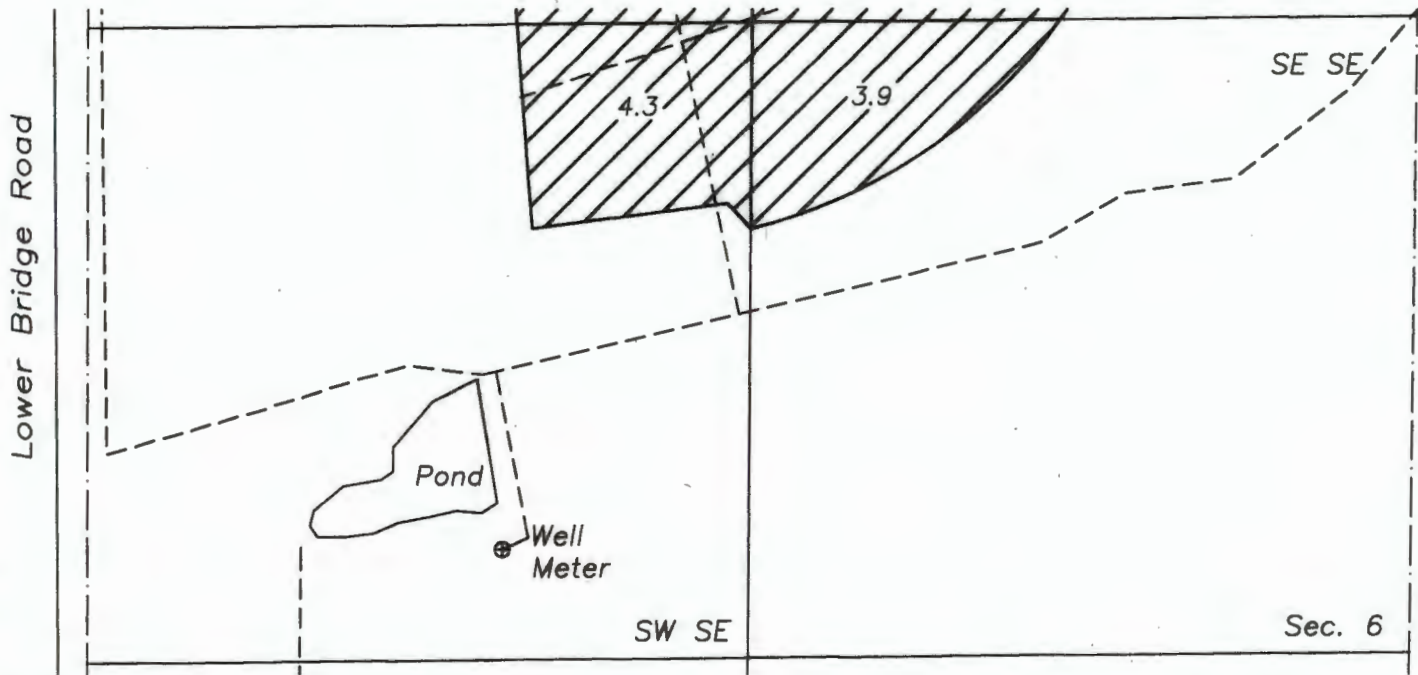


9/9/2021



Renewal date: 6/30/2022

Tax Lot 800
Map 14-12-00



Section 6
T14S R12E W.M.
Deschutes Co, OR

Point of Appropriation

230' North and 1870' West from the SE Corner
Section 6, T14S R12E, W.M.



Water beneficially applied under
T-12882 (priority date 9/7/1977)



Mainline

This map is for the purpose of identifying the location of the water right. It is not intended to provide legal dimensions or locations of property ownership lines.

400 0 400 800 1200



GRAPHIC SCALE - FEET

Sheet 3 of 3

Claim of Beneficial Use T-12882

RECEIVED

SEP 13 2021

OWRD

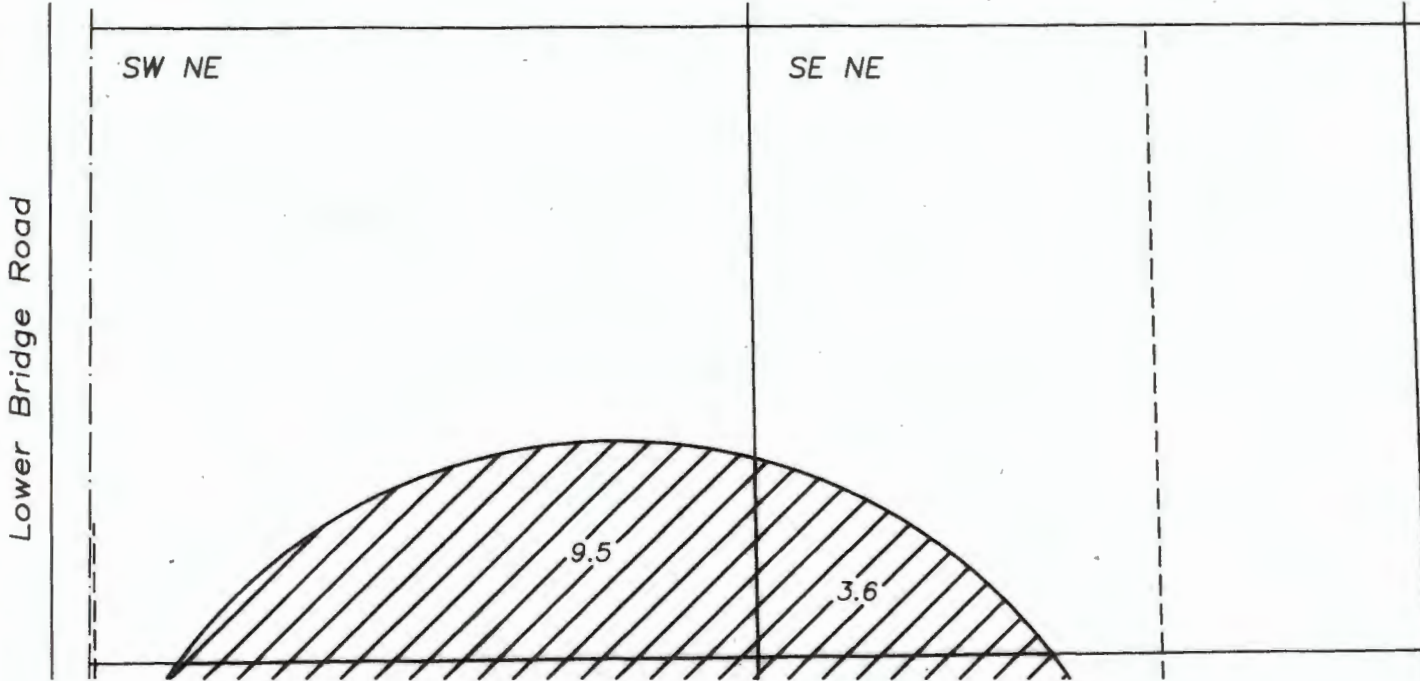
NORTH

9/9/2021



Renewal date: 6/30/2022

Tax Lot 800
Map 14-12-00



Section 6
T14S R12E W.M.
Deschutes Co, OR

Point of Appropriation

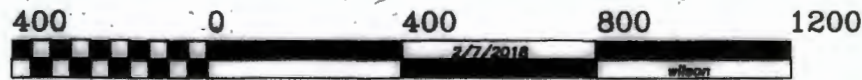
230' North and 1870' West from the SE Corner
Section 6, T14S R12E, W.M.

This map is for the purpose of identifying the location of the water right. It is not intended to provide legal dimensions or locations of property ownership lines.



Water beneficially applied under
T-12882 (priority date 9/7/1977)

----- Mainline



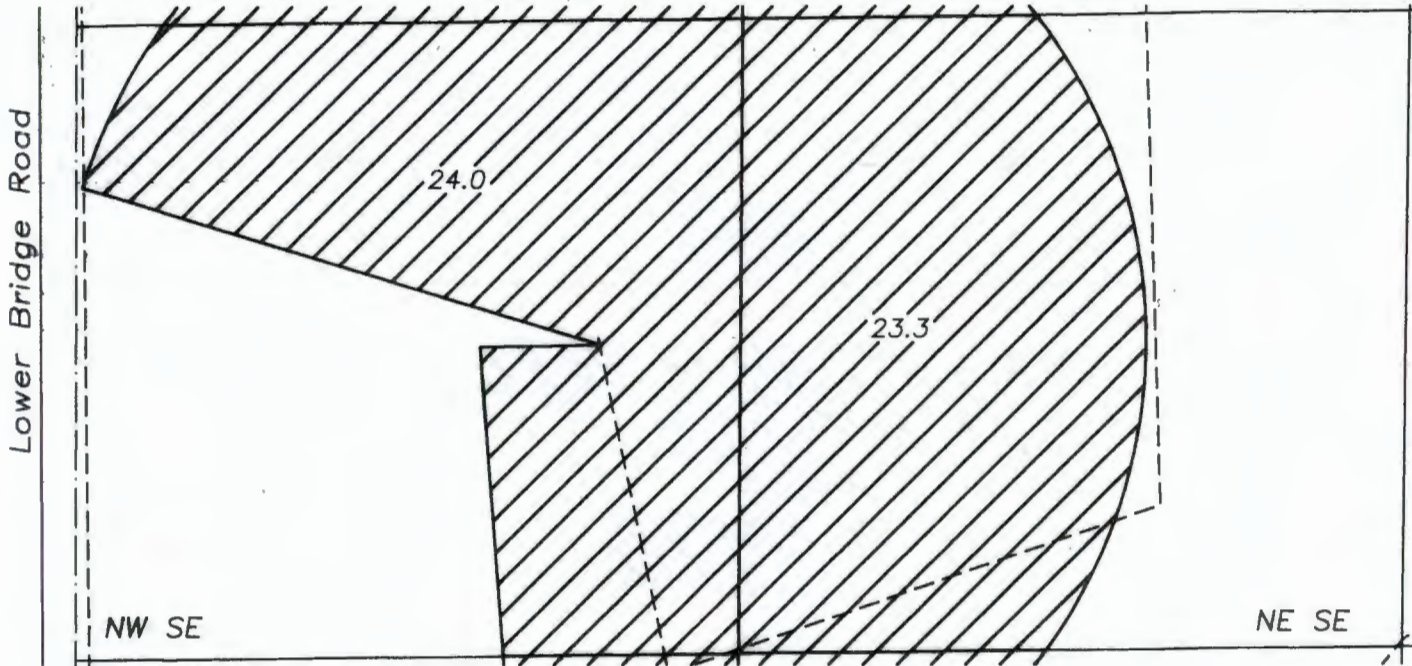
GRAPHIC SCALE - FEET

Sheet 1 of 3

Claim of Beneficial Use

T-12882

RECEIVED
SEP 18 2024
OWRI



9/9/2024
Certified Water Right Examiner
#80088
Michele W. Sims
Michele W. Sims
July 14, 2004
STATE OF OREGON

Renewal date: 6/30/2022

Tax Lot 800
Map 14-12-00

Section 6
T14S R12E W.M.
Deschutes Co, OR

Point of Appropriation
230' North and 1870' West from the SE Corner
Section 6, T14S R12E, W.M.

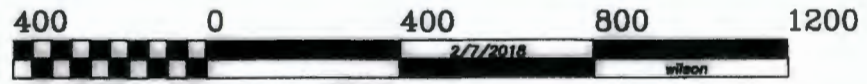
This map is for the purpose of identifying the location of the water right. It is not intended to provide legal dimensions or locations of property ownership lines.



Water beneficially applied under
T-12882 (priority date 9/7/1977)



Mainline



GRAPHIC SCALE - FEET