

Registration Statement

REGISTRATION NO. GR-268CERTIFICATE NO. GR-247

OF CLAIMANT OF RIGHT TO APPROPRIATE GROUND WATER

(Under Chapter 708, Oregon Laws 1955.)

TO THE STATE ENGINEER OF OREGON:

I, Gordon Walker for Dean Walker Farmsof Independence County of PolkState of Oregon, do hereby make application for a certificate of registration as evidence of a right to appropriate ground water.1. Source from which water is withdrawn is Pump well #1
(Flowing well, pump well, infiltration trench, or tunnel)2. Location is: 1 mile north of Independence
(Approximate distance and direction from nearest city or town)

and is more particularly described as follows:

(a) S 81° 52' W, 63.60 chains from NE corner of T.L. Burbank claim
(Give distance and bearing to corner of section or other legal subdivision)being within SE $\frac{1}{4}$ of SW $\frac{1}{4}$ of Sec. 16, Twp. 8 South, Rge. 4 West
(Smallest legal subdivision) (N. or S.) (E. or W.)

or (b) within limits of recorded platted property, town or city:

in Lot _____, Block _____ of _____
(Name of plat or addition)County of _____
(If within city or town, give name)3. Construction Work was begun on 5-1-51; was completed on 5-2-51
(Date) (Date)and the ground water claimed was first used for the purposes set out below on 6-20-51
(Date)since which time the water has been used seasonally
(Continuously or Intermittently)from 6-20-51 to 9-5-56
(Date) (Date)4. Quantity of water claimed and used is 650 gallons per minute; _____ acre feet per year.5. Purpose or Purposes for which water is used irrigation

(Domestic, irrigation, municipal, manufacturing, industrial, etc.)

6. Description of Well: Depth 55 feet. Type drilled
(Dug or drilled)diameter 12 inches. Elevation of ground at well site 140 feet, mean sea level.
(As near as known)Depth to water table 20 feet.7. Capacity of Well: 650 g.p.m. with 30 feet drawdown.

_____ g.p.m. with _____ feet drawdown.

Date of test September useIf Flowing Well: Measured discharge _____ g.p.m. on _____
(Date)Shut-in pressure at ground surface _____ lbs. per sq. in. on _____
(Date)Water is controlled by _____
(Cap. valve, etc.)

8. Casing: (Give diameter, commercial specifications and depth below ground surface of each casing size.)

12 inch diameter Standard well casing from 0 to 55 feet
 inch diameter from to feet
 inch diameter from to feet
 inch diameter from to feet

Describe and show depth of shoe, plug, adapter, liner or other details: none

9. Perforated Casings or Screens:

9 $\frac{1}{2}$ x4 from 45 to 55
 (Number per foot and size of perforations, or describe screen)
 from to
 from to
 from to

10. Log of Well: (Describe each stratum or formation clearly, indicate if water bearing, and give thickness and depth as indicated.)

MATERIAL	Thickness (Feet)	Depth to Bottom (Feet)
not kept.		

If log of well is not available, give name and address of driller. Art Clinton, Independence, Oregon

11. Infiltration Trench: Covered or open

Dimensions: Length _____ ft. Minimum depth _____ ft. Maximum depth _____ ft.

Bottom width _____ ft. Discharge _____ g.p.m. Date of test _____

12. Tunnel: Type of lining

Dimensions: _____
(Length, course, and cross sectional size)

Position of water bearing stratum with reference to portal of tunnel _____

Log of tunnel: (Preceding table for log of well may be used, if desired. Give footage from portal and character of materials, as pertinent.)

13. Pumping Equipment:

(a) Pump Jacuzzi, turbine, 6 inch stages Capacity .650 g.p.m.
(Make, type and size)

(b) Motor 30hp, hollow shaft
(Type and horsepower)

14. Location of area irrigated or to be irrigated, or place of use if for purposes other than irrigation.

Township North or South	Range E. or W. of Willamette Meridian	Section	Forty-acre Tract	Number Acres To Be Irrigated	Date of Reclamation
8 South	4 West	16	SE $\frac{1}{4}$ of SW $\frac{1}{4}$	26.7	6-20-51
8 South	4 West	16	NE $\frac{1}{4}$ of SW $\frac{1}{4}$	1.5	"
8 South	4 West	16	NW $\frac{1}{4}$ of SE $\frac{1}{4}$	6.5	"
8 South	4 West	21	NE $\frac{1}{4}$ of NW $\frac{1}{4}$	1.6	"
8 South	4 West	21	NW $\frac{1}{4}$ of NE $\frac{1}{4}$	1.2	"
				31	

15. If the ground water supply is supplemental to an existing water supply, identification of any application for a permit, permit, certificate or adjudicated right to appropriate water made or held by the registrant.

OF CLAIMANT OF RIGHT TO APPROPRIATE GROUND WATER

(Under Chapter 708, Oregon Laws 1955.)

TO THE STATE ENGINEER OF OREGON:

I, Gordon Walker for Dean Walker Farms
of Independence County of Polk

State of Oregon, do hereby make application for a certificate of registration as evidence of a right to appropriate ground water.

1. Source from which water is withdrawn is pump well #2
(Flowing well, pump well, infiltration trench, or tunnel)
2. Location is: 1 mile north of Independence
(Approximate distance and direction from nearest city or town)

and is more particularly described as follows:

(a) S. 69° 18' W 44.10 chains from NE corner of T. L. Burbank claim
(Give distance and bearing to corner of section or other legal subdivision)
being within NW¹ of NE¹ of Sec. 21, Twp. 8 South, Rge. 4 West
(Smallest legal subdivision) (N. or S.) (E. or W.)

or (b) within limits of recorded platted property, town or city:
in Lot _____, Block _____ of _____
(Name of plat or addition)
County of _____
(If within city or town, give name)

3. Construction Work was begun on 12-14-54; was completed on 12-18-54
(Date) (Date)
and the ground water claimed was first used for the purposes set out below on 6-8-55
(Date)
since which time the water has been used Seasonally
(Continuously or Intermittently)
from 6-8-55 to 9-5-56
(Date) (Date)

4. Quantity of water claimed and used is 600 gallons per minute; _____ acre feet per year.

5. Purpose or Purposes for which water is used Irrigation

(Domestic, irrigation, municipal, manufacturing, industrial, etc.)

6. Description of Well: Depth 55 feet. Type drilled
(Dug or drilled)
diameter 12 inches. Elevation of ground at well site 140 feet, mean sea level.
(As near as known)
Depth to water table 17 feet.

7. Capacity of Well: 700 g.p.m. with 14 feet drawdown.
_____ g.p.m. with _____ feet drawdown.

Date of test 12-18-54

If Flowing Well: Measured discharge _____ g.p.m. on _____
(Date)

Shut-in pressure at ground surface _____ lbs. per sq. in. on _____
(Date)

Water is controlled by _____
(Cap, valve, etc.)

GR-247.D

8. Casing: (Give diameter, commercial specifications and depth below ground surface of each casing size.)

12 inch diameter Standard Well casing from 0 to 55 feet
 inch diameter from to feet
 inch diameter from to feet
 inch diameter from to feet

Describe and show depth of shoe, plug, adapter, liner or other details:

9. Perforated Casings or Screens:

not known

(Number per foot and size of perforations, or describe screen)

from to

from to

from to

from to

10. Log of Well: (Describe each stratum or formation clearly, indicate if water bearing, and give thickness and depth as indicated.)

MATERIAL	Thickness (Feet)	Depth to Bottom (Feet)
Top soil	2	2
Yellow silt	13	15
Cemented gravel	5	20
Water gravel	3	23
Cemented gravel	4	27
Water sand and gravel	1	28
Cemented gravel	13	41
Water gravel	2½	43½
Cemented gravel	11	54½
Water gravel	1	55½
Blue shale		

If log of well is not available, give name and address of driller.

11. Infiltration Trench: Covered or open

Dimensions: Length ft. Minimum depth ft. Maximum depth ft.

Bottom width ft. Discharge g.p.m. Date of test

12. Tunnel: Type of lining

Dimensions:
(Length, course, and cross sectional size)

Position of water bearing stratum with reference to portal of tunnel

Log of tunnel: (Preceding table for log of well may be used, if desired.) Give footage from portal and character of materials, as pertinent.)

13. Pumping Equipment:

(a) Pump Jamuzzi, turbine, six inch stages Capacity 650 g.p.m.
(Make, type and size)

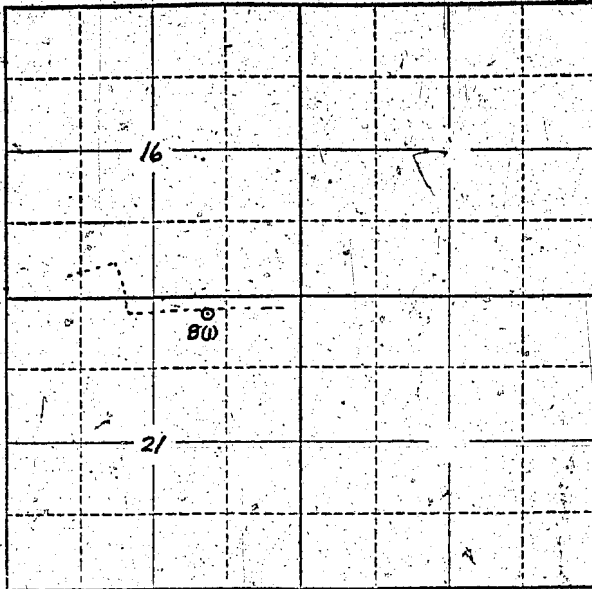
(b) Motor 30hp, hollow shaft
(Type and horsepower)

14. Location of area irrigated or to be irrigated, or place of use if for purposes other than irrigation.

Township North or South	Range E. or W. of Willamette Meridian	Section	Forty-acre Tract	Number Acres To Be Irrigated	Date of Reclamation
8 South	4 West	21	NW $\frac{1}{4}$ of NE $\frac{1}{4}$	4.6	6-8-55
8 South	4 West	21	NE $\frac{1}{4}$ of NE $\frac{1}{4}$	5.8	"
8 South	4 West	16	SW $\frac{1}{4}$ of SE $\frac{1}{4}$	28.7	"
8 South	4 West	16	SE $\frac{1}{4}$ of SE $\frac{1}{4}$	12.4	"
8 South	4 West	16	NW $\frac{1}{4}$ of SE $\frac{1}{4}$	1.2	"
				52.5	

15. If the ground water supply is supplemental to an existing water supply, identification of any application for a permit, permit, certificate or adjudicated right to appropriate water made or held by the registrant.

Township 8 S Range 4 W, W.M.
North



Locate well and acreage of irrigated land on plat.
Scale: 2" = 1 Mile

STATE OF OREGON

County of Polk } ss.

I, Garland Walker, being first duly sworn, do hereby certify that I have read the foregoing Registration Statement and that all of the items therein contained are true to the best of my knowledge and belief.

Garland Walker
(Signature of Registrant)

Subscribed and sworn to before me this 17th day of October, 1956

My commission expires 11-10-59

(Notary Public)

(SEAL)

SEE PAGE GR-217-W FOR
CERTIFICATE OF REGISTRATION

STATE OF OREGON

County of Marion } ss.

~~This is to certify that the foregoing Registration Statement was received in the office of the State Engineer on the X-X-X-X day of X-X-X-X 19X-X-X-X and that the same is a true and correct copy of the original as filed in the office of the State Engineer at the place mentioned in the Registration Statement and that the same is a true and correct copy of the original as filed in the office of the State Engineer at the place mentioned in the Registration Statement.~~

Witness my hand this day of 19.....

(State Engineer)

By (Deputy)

GR-247G

OF CLAIMANT OF RIGHT TO APPROPRIATE GROUND WATER

(Under Chapter 708, Oregon Laws 1955.)

TO THE STATE ENGINEER OF OREGON:

I, Gordon Walker for Dean Walker Farms

of Independence County of Polk

State of Oregon do hereby make application for a certificate of registration as evidence of a right to appropriate ground water.

1. Source from which water is withdrawn is Pump Well #3
(Flowing well, pump well, infiltration trench, or tunnel)

2. Location is: 1 mile north and mile east of Independence
(Approximate distance and direction from nearest city or town)

and is more particularly described as follows:

(a) S. 86° 59' W, 18.43 chains from N. E. Corner of T. L. Burbank Claim
(Give distance and bearing to corner of section or other legal subdivision)

being within SE¹/₄ of SE¹/₄ of Sec. 16, Twp. 8 south, Rge. 4 West
(Smallest legal subdivision) (N. or S.) (E. or W.)

or (b) within limits of recorded platted property, town or city:

in Lot _____, Block _____ of _____
(Name of plat or addition)

County of _____
(If within city or town, give name)

3. Construction Work was begun on 5-6-49; was completed on 5-9-49
(Date) (Date)

and the ground water claimed was first used for the purposes set out below on 6-15-49
(Date)

since which time the water has been used Seasonally
(Continuously or intermittently)

from 6-15-49 to 10-9-56
(Date) (Date)

4. Quantity of water claimed and used is 500 gallons per minute; _____ acre feet per year.

5. Purpose or Purposes for which water is used Irrigation

(Domestic, irrigation, municipal, manufacturing, industrial, etc.)

6. Description of Well: Depth 45 feet. Type drilled
(Dug or drilled)

diameter 12 inches. Elevation of ground at well site 145 feet, mean sea level.
(As near as known)

Depth to water table 25 feet.

7. Capacity of Well: 500 g.p.m. with 14 feet drawdown.

_____ g.p.m. with _____ feet drawdown.

Date of test use

If Flowing Well: Measured discharge _____ g.p.m. on _____
(Date)

Shut-in pressure at ground surface _____ lbs. per sq. in. on _____
(Date)

Water is controlled by _____
(Cap, valve, etc.)

8. Casing: (Give diameter, commercial specifications and depth below ground surface of each casing size.)

12 inch diameter from 12 to 45 feet
 inch diameter from to feet
 inch diameter from to feet
 inch diameter from to feet

Describe and show depth of shoe, plug, adapter, liner or other details: *Pitted for centrifugal*
 pump from 0 to 12 feet. Pit is 6' by 8' , wood lined and shored

9. Perforated Casings or Screens:

9 $\frac{1}{2} \times 4$ from 35 to 45
(Number per foot and size of perforations, or describe screen)
 from to
 from to
 from to

10. Log of Well: (Describe each stratum or formation clearly, indicate if water bearing, and give thickness and depth as indicated.)

MATERIAL	Thickness (Feet)	Depth to Bottom (Feet)
<i>unknown</i>		

If log of well is not available, give name and address of driller. Art Clinton, Independence, Oregon

11. Infiltration Trench: Covered or open

Dimensions: Length _____ ft. Minimum depth _____ ft. Maximum depth _____ ft.

Bottom width _____ ft. Discharge _____ g.p.m. Date of test _____

12. Tunnel: Type of lining

Dimensions: _____
(Length, course, and cross sectional size)

Position of water bearing stratum with reference to portal of tunnel _____

Log of tunnel: (Preceding table for log of well may be used, if desired. Give footage from portal and character of materials, as pertinent.)

13. Pumping Equipment:

(a) Pump Gould, centrifugal, 3x4 Capacity 500 g.p.m.
(Make, type and size)

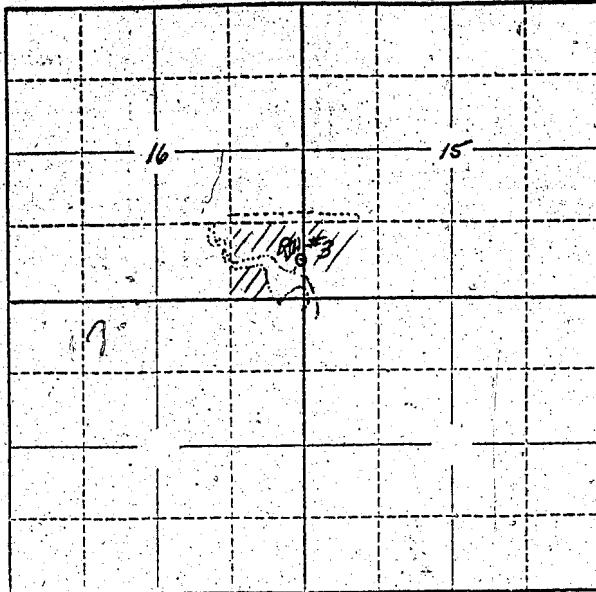
(b) Motor 20 hp
(Type and horsepower)

14. Location of area irrigated or to be irrigated, or place of use if for purposes other than irrigation.

Township North or South	Range E. or W. of Willamette Meridian	Section	Forty-acre Tract	Number Acres To Be Irrigated	Date of Reclamation
8 South	4 West	16	SW $\frac{1}{4}$ of SE $\frac{1}{4}$	3.2	
8 South	4 West	16	SE $\frac{1}{4}$ of SE $\frac{1}{4}$	20.6	
8 South	4 West	16	NE $\frac{1}{4}$ of SE $\frac{1}{4}$	2.0	
8 South	4 West	15	NW $\frac{1}{4}$ of SW $\frac{1}{4}$	1.2	
8 South	4 West	15	SW $\frac{1}{4}$ of SW $\frac{1}{4}$	22.5	
8 South	4 West	21	NW $\frac{1}{4}$ of NW $\frac{1}{4}$	21.5	
8 South	4 West	16	NW $\frac{1}{4}$ of SE $\frac{1}{4}$	0.4	
				67.5	

15. If the ground water supply is supplemental to an existing water supply, identification of any application for a permit, permit, certificate or adjudicated right to appropriate water made or held by the registrant.

Township 8 S Range 4 W W.M.
North



Locate well and acreage of irrigated land on plat.
Scale: 2" = 1 Mile

STATE OF OREGON }
County of Polk } ss.

I, Garland Walker, being first duly sworn, do hereby certify that I have read the foregoing Registration Statement and that all of the items therein contained are true to the best of my knowledge and belief.

Garland Walker
(Signature of Registrant)

Subscribed and sworn to before me this 11th day of October, 1951

My commission expires 11-10-54
Everett Parker
(Notary Public)

(SEAL)

SEE PAGE GR-247-W FOR
CERTIFICATE OF REGISTRATION

STATE OF OREGON }
County of Marion } ss.

~~This is to certify that the foregoing Registration Statement was received in the office of the State Engineer on the 11th day of October 1951 and that the same is correct and true to the best of my knowledge and belief.~~

Witness my hand this _____ day of _____, 19_____

(State Engineer)
By _____
(Deputy)

GR-247 K

4
Registration Statement

REGISTRATION NO. GR-268
CERTIFICATE NO. GR-247

OF CLAIMANT OF RIGHT TO APPROPRIATE GROUND WATER

(Under Chapter 708, Oregon Laws 1955.)

TO THE STATE ENGINEER OF OREGON:

I, Gordon Walker for Dean Walker Farms

of Independence County of Polk

State of Oregon, do hereby make application for a certificate of registration as evidence of a right to appropriate ground water.

1. Source from which water is withdrawn is Pumped well #4
(Flowing well, pump well, infiltration trench, or tunnel)

2. Location is: 1 mile north and 1 mile east of Independence
(Approximate distance and direction from nearest city or town)

and is more particularly described as follows:

(a) S 76° 59' East, 16.83 chains from the N. E. corner of the T. L. Burbank claim
(Give distance and bearing to corner of section or other legal subdivision)

being within SE¹ of SW¹ of Sec. 15, Twp. 8 south, Rge. 4 west
(Smallest legal subdivision) (N. or S.) (E. or W.)

or (b) within limits of recorded platted property, town or city:

in Lot _____, Block _____ of _____
(Name of plat or addition)

County of _____
(If within city or town, give name)

3. Construction Work was begun on 7-9-51; was completed on 7-11-51
(Date) (Date)

and the ground water claimed was first used for the purposes set out below on 7-19-51
(Date)

since which time the water has been used Seasonally
(Continuously or intermittently)

from 7-19-51 to 9-6-56
(Date) (Date)

4. Quantity of water claimed and used is 700 gallons per minute; _____ acft per year.

5. Purpose or Purposes for which water is used Irrigation

(Domestic, irrigation, municipal, manufacturing, industrial, etc.)

6. Description of Well: Depth 40 feet. Type drilled
(Dug or drilled)

diameter: 12 inches. Elevation of ground at well site 140 feet, mean sea level.
(As near as known)

Depth to water table 16 feet.

7. Capacity of Well: 700 g.p.m. with 10 feet drawdown.

_____ g.p.m. with _____ feet drawdown.

Date of test use

If Flowing Well: Measured discharge _____ g.p.m. on _____
(Date)

Shut-in pressure at ground surface _____ lbs. per sq. in. on _____
(Date)

Water is controlled by _____
(Cap, valve, etc.)

GR-247L

If log of well is not available, give name and address of driller. Art Clinton, Independence, Oregon

11. **Infiltration Trench: Covered or open**

Dimensions: Length ft. Minimum depth ft. Maximum depth ft.

Bottom width ft. Discharge g.p.m. Date of test

12. **Tunnel: Type of lining**

Dimensions:
(Length, course, and cross sectional size)

Position of water bearing stratum with reference to portal of tunnel

Log of tunnel: (Preceding table for log of well may be used, if desired. Give footage from portal and character of materials, as pertinent.)

13. **Pumping Equipment:**

(a) Pump Gould, centrifugal, 3x4 Capacity 700 g.p.m.
(Make, type and size)

(b) Motor 30hp, electric
(Type and horsepower)

14. **Location of area irrigated or to be irrigated, or place of use if for purposes other than irrigation.**

Township North or South	Range E. or W. of Willamette Meridian	Section	Forty-acre Tract	Number Acres To Be Irrigated	Date of Reclamation
8 south	4 west	15	SW $\frac{1}{2}$ of SW $\frac{1}{4}$	15.8	7/19-51
8 south	4 west	15	SE $\frac{1}{2}$ of SW $\frac{1}{4}$	27.2	
8 south	4 west	22	NW $\frac{1}{2}$ of NW $\frac{1}{4}$	2.5	
8 south	4 west	22	NE $\frac{1}{2}$ of NW $\frac{1}{4}$	4.4	
8 south	4 west	15	NW $\frac{1}{4}$ of SW $\frac{1}{4}$	0.2	
				36.1	

15. If the ground water supply is supplemental to an existing water supply, identification of any application for a permit, permit, certificate or adjudicated right to appropriate water made or held by the registrant.

Registration Statement

OF CLAIMANT OF RIGHT TO APPROPRIATE GROUND WATER

(Under Chapter 708, Oregon Laws 1955.)

TO THE STATE ENGINEER OF OREGON:

I, Gordon Walker for Dean Walker Farms

of Independence County of Polk

State of Oregon, do hereby make application for a certificate of registration as evidence of a right to appropriate ground water.

1. Source from which water is withdrawn is Pumped well #5
(Flowing well, pump well, infiltration trench, or tunnel)

2. Location is: 1 mile north and 1 mile east of Independence
(Approximate distance and direction from nearest city or town)

and is more particularly described as follows:

(a) S 47° 10' E 39.86 chains from the N. E. corner of the T. L. Burbank claim
(Give distance and bearing to corner of section or other legal subdivision)

being within NW $\frac{1}{4}$ of NE $\frac{1}{4}$ of Sec. 22, Twp. 8 south, Rge. 4 west
(Smallest legal subdivision) (N. or S.) (E. or W.)

or (b) within limits of recorded platted property, town or city:

in Lot _____, Block _____ of _____
(Name of plat or addition)

County of _____
(If within city or town, give name)

3. Construction Work was begun on 5-16-50; was completed on 5-19-50
(Date) (Date)

and the ground water claimed was first used for the purposes set out below on 6-25-50
(Date)

since which time the water has been used Seasonally
(Continuously or Intermittently)

from 6-25-50 to 8-25-56
(Date) (Date)

4. Quantity of water claimed and used is 1000 gallons per minute; _____ acre feet per year.

5. Purpose or Purposes for which water is used Irrigation

(Domestic, irrigation, municipal, manufacturing, industrial, etc.)

6. Description of Well: Depth 55 feet. Type Drilled
(Dug or drilled)

diameter 12 inches. Elevation of ground at well site 150 feet, mean sea level.
(As near as known)

Depth to water table 25 feet.

7. Capacity of Well: 1000 g.p.m. with 25 feet drawdown.

_____ g.p.m. with _____ feet drawdown.

Date of test use

If Flowing Well: Measured discharge _____ g.p.m. on _____
(Date)

Shut-in pressure at ground surface _____ lbs. per sq. in. on _____
(Date)

Water is controlled by _____
(Cap, valve, etc.)

GR-247 P

8. Casing: (Give diameter, commercial specifications and depth below ground surface of each casing size.)

12 inch diameter Standard well casing from 0 to 55 feet
 inch diameter from to feet
 inch diameter from to feet
 inch diameter from to feet

Describe and show depth of shoe, plug, adapter, liner or other details:

9. Perforated Casings or Screens:

9 1/2x4 from 45 to 55
 (Number per foot and size of perforations, or describe screen)
 from to
 from to
 from to

10. Log of Well: (Describe each stratum or formation clearly, indicate if water bearing, and give thickness and depth as indicated.)

MATERIAL	Thickness (Feet)	Depth to Bottom (Feet)
none		

If log of well is not available, give name and address of driller. Art Clinton, Independence, Oregon

11. Infiltration Trench: Covered or open

Dimensions: Length ft. Minimum depth ft. Maximum depth ft.

Bottom width ft. Discharge g.p.m. Date of test

12. Tunnel: Type of lining

Dimensions:
(Length, course, and cross sectional size)

Position of water bearing stratum with reference to portal of tunnel

Log of tunnel: (Preceding table for log of well may be used, if desired. Give footage from portal and character of materials, as pertinent.)

13. Pumping Equipment:

(a) Pump Fairbanks-Morse, turbine, 8 inch stages Capacity 1000 g.p.m.
(Make, type and size)

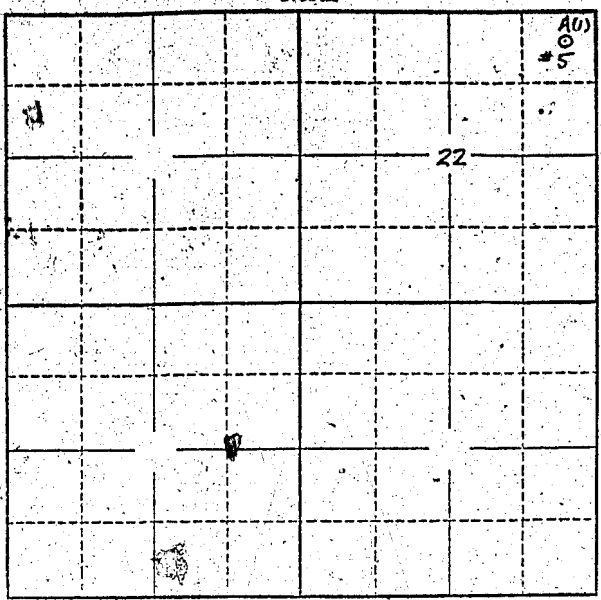
(b) Motor electric, hollow shaft, 50hp
(Type and horsepower)

14. Location of area irrigated or to be irrigated, or place of use if for purposes other than irrigation.

Township North or South	Range E. or W. of Willamette Meridian	Section	Forty-acre Tract	Number Acres To Be Irrigated	Date of Reclamation
8 south	4 west	15	SE $\frac{1}{4}$ of SW $\frac{1}{4}$	10.1	6-25-50
8 south	4 west	15	SW $\frac{1}{4}$ of SE $\frac{1}{4}$	39.0	
8 south	4 west	22	NE $\frac{1}{4}$ of NW $\frac{1}{4}$	7.6	
8 south	4 west	22	NW $\frac{1}{4}$ of NE $\frac{1}{4}$	37.2	
8 south	4 west	22	SW $\frac{1}{4}$ of NE $\frac{1}{4}$	8.5	
8 south	4 west	22	SE $\frac{1}{4}$ of NE $\frac{1}{4}$	1.3	
8 south	4 west	22	NE $\frac{1}{4}$ of NE $\frac{1}{4}$	4.0	
9 south	4 west	15	SE $\frac{1}{4}$ of SE $\frac{1}{4}$	0.2	
				107.9	

15. If the ground water supply is supplemental to an existing water supply, identification of any application for a permit, permit, certificate or adjudicated right to appropriate water made or held by the registrant.

Township 85 Range 4W, W.M.
North



Locate well and acreage of irrigated land on plat.
Scale: 2" = 1 Mile

STATE OF OREGON }
County of Polk } ss.

I, Gordon Walker, being first duly sworn, do hereby certify that I have read the foregoing Registration Statement and that all of the items therein contained are true to the best of my knowledge and belief.

Gordon Walker
(Signature of Registrant)

Subscribed and sworn to before me this 11th day of October, 1956

My commission expires 11-10-1957
Allen Reiner
(Notary Public)

(SEAL)

**SEE PAGE GR-217-W FOR
CERTIFICATE OF REGISTRATION**

STATE OF OREGON }
County of Marion } ss.

~~This is to certify that the foregoing Registration Statement was received in the office of the State Engineer on this day of _____, 19____, and that the same complies with the provisions of the laws of the State of Oregon relating to the registration of irrigation systems.~~

Witness my hand this _____ day of _____, 19____.

(State Engineer)

By _____
(Deputy)

GR-247 S

Registration Statement

OF CLAIMANT OF RIGHT TO APPROPRIATE GROUND WATER

(Under Chapter 708, Oregon Laws 1955.)

TO THE STATE ENGINEER OF OREGON:

I, Gordon Walker for Dean Walker Farms
of Independence County of Polk

State of Oregon, do hereby make application for a certificate of registration as evidence of a right to appropriate ground water.

1. Source from which water is withdrawn is pumped well #6
(Flowing well, pump well, infiltration trench, or tunnel)

2. Location is: 1 mile north and 1 1/2 miles east of Independence
(Approximate distance and direction from nearest city or town)

and is more particularly described as follows:

(a) S. 70°17' E., 57.22 chains from the N. E. corner of the T. L. Burbank claim
(Give distance and bearing to corner of section or other legal subdivision)
being within NE 1/4 of NE 1/4 of Sec. 22, Twp. 8 south, Rge. 4 west
(Smallest legal subdivision) (N. or S.) (E. or W.)

or (b) within limits of recorded platted property, town or city:

in Lot _____, Block _____ of _____
(Name of plat or addition)
County of _____
(If within city or town, give name)

3. Construction Work was begun on 5-9-49; was completed on 5-11-49
(Date) (Date)

and the ground water claimed was first used for the purposes set out below on 6-18-49
(Date)

since which time the water has been used Seasonally
(Continuously or Intermittently)

from 6-18-49 to 9-7-56
(Date) (Date)

4. Quantity of water claimed and used is 700 gallons per minute; _____ acre feet per year.

5. Purpose or Purposes for which water is used Irrigation

(Domestic, irrigation, municipal, manufacturing, industrial, etc.)

6. Description of Well: Depth 30 feet. Type drilled
(Dug or drilled)

diameter 12 inches. Elevation of ground at well site 140 feet, mean sea level.
(As near as known)

Depth to water table 5 feet.

7. Capacity of Well: 1000 g.p.m. with 10 feet drawdown.

_____ g.p.m. with _____ feet drawdown.

Date of test use

If Flowing Well: Measured discharge _____ g.p.m. on _____
(Date)

Shut-in pressure at ground surface _____ lbs. per sq. in. on _____
(Date)

Water is controlled by _____
(Cap, valve, etc.)

GR-247 T

8. Casing: (Give diameter, commercial specifications and depth below ground surface of each casing size.)

12 inch diameter standard well casing from 0 to 30 feet
 inch diameter from to feet
 inch diameter from to feet
 inch diameter from to feet

Describe and show depth of shoe, plug, adapter, liner or other details:

9. Perforated Casings or Screens:

9 1/2 x 4 from 20 to 30
 (Number per foot and size of perforations, or describe screen)
 from to
 from to
 from to

10. Log of Well: (Describe each stratum or formation clearly, indicate if water bearing, and give thickness and depth as indicated.)

MATERIAL	Thickness (Feet)	Depth to Bottom (Feet)
<i>no record</i>		

If log of well is not available, give name and address of driller. Art. Clinton, Independence, Oregon

11. Infiltration Trench: Covered or open

Dimensions: Length ft. Minimum depth ft. Maximum depth ft.

Bottom width ft. Discharge g.p.m. Date of test

12. Tunnel: Type of lining

Dimensions:
(Length, course, and cross sectional size)

Position of water bearing stratum with reference to portal of tunnel

Log of tunnel: (Preceding table for log of well may be used, if desired. Give footage from portal and character of materials, as pertinent.)

13. Pumping Equipment:

(a) Pump Gould, centrifugal, 3x4 Capacity 700 g.p.m.
(Make, type and size)

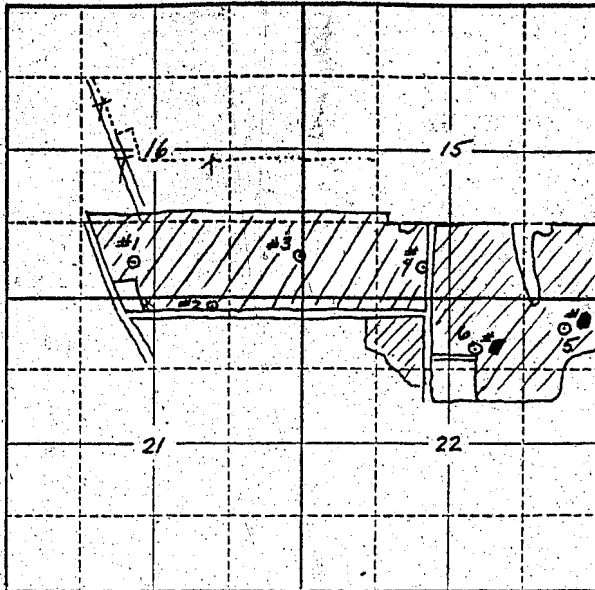
(b) Motor electric, 30hp
(Type and horsepower)

14. Location of area irrigated or to be irrigated, or place of use if for purposes other than irrigation.

Township North or South	Range E. or W. of Willamette Meridian	Section	Forty-acre Tract	Number Acres To Be Irrigated	Date of Reclamation
8. south	4 west	15	SE $\frac{1}{4}$ of SE $\frac{1}{4}$	33.6	6-18-49
8. south	4 west	14	SW $\frac{1}{4}$ of SW $\frac{1}{4}$	34.0	" " "
8. south	4 west	22	NE $\frac{1}{4}$ of NE $\frac{1}{4}$	33.5	" " "
8. south	4 west	22	SE $\frac{1}{4}$ of NE $\frac{1}{4}$	7.0	" " "
8. south	4 west	23	NW $\frac{1}{4}$ of NW $\frac{1}{4}$	7.8	" " "
				<u>115.9</u>	

15. If the ground water supply is supplemental to an existing water supply, identification of any application for a permit, permit, certificate or adjudicated right to appropriate water made or held by the registrant.

Township 8S Range 4W W.M. North



Locate well and acreage of irrigated land on plat.

Scale: 2" = 1 Mile

STATE OF OREGON

County of Polk } ss.

I, Garland Walker, being first duly sworn, do hereby certify that I have read the foregoing Registration Statement and that all of the items therein contained are true to the best of my knowledge and belief.

Garland Walker
(Signature of Registrant)

Subscribed and sworn to before me this 17th day of October, 1956

My commission expires 11-10-1957
Ernest Carson
(Notary Public)

(SEAL)

CERTIFICATE OF REGISTRATION

STATE OF OREGON }
County of Marion } ss.

This is to certify that the foregoing Registration Statement was received in the office of the State Engineer on the 11th day of October, 1956, at 10:30 o'clock A. M. and has been duly recorded in said office in Book No. 2 of Registration Statements on page GR-247-W

~~Not to be used for any purpose other than that stated on the certificate of registration unless the State Engineer is notified in writing by the registrant and the State Engineer is notified in writing by the State Engineer.~~

Witness my hand this 15th day of January, 1957

Lewis A. Stanley
(State Engineer)

By _____
(Deputy)

GR-247W