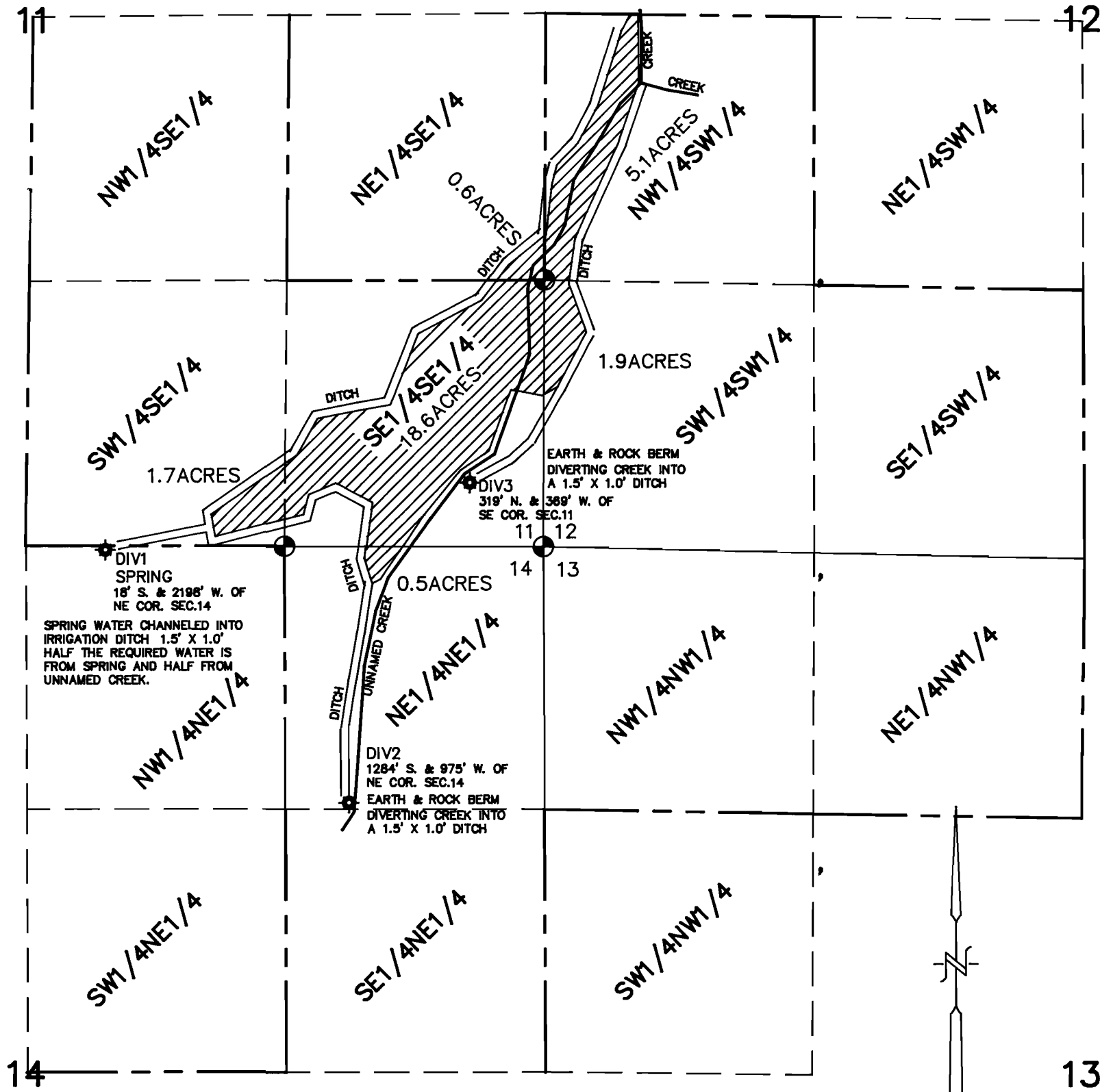


TAX LOT No. 27-45-700
SEC.11,12 & 14, Twsp.27S., R.45E., W.M.



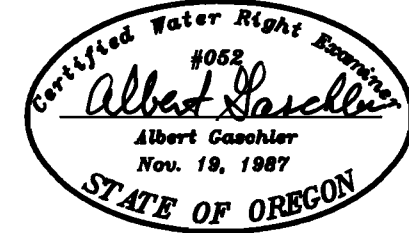
DISCLAIMER

I, ALBERT GASCHLER, HEREBY CERTIFY: THAT THIS MAP WAS MADE TO BE A PART OF REGISTRATION STATEMENT CLAIMING A RIGHT TO APPROPRIATE SURFACE WATER. SECTIONAL LINES SHOWN ARE APPROXIMATE AND THIS MAP IS NOT INTENDED FOR ANY OTHER USE AND DOES NOT GUARANTEE LAND OWNERSHIP.

APPLICATION No.:



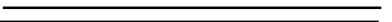

PERMIT No.:

EXISTING PERMITS :



CERTIFICATE EXPIRES : 12-31-95

LEGEND

- GOVERNMENT CORNER 
- POINT OF DIVERSION 
- EARTH DITCH 
- EXISTING WATER RIGHT 

SWR-490

REVISED ON 2/15/94 TO SHOW SIZE OF DIVERSION DITCHES.

| | | |
|---|------------------------|------------------|
| WATER RIGHTS EXAMINERS MAP | | |
| FOR : ANDREW GREELEY, JR. | | |
| GASCHLER & CUMMINGS | | |
| P.O.BOX 412 / 786 SUNSET DR., 889-2101, ONTARIO, OREGON | | |
| CHECKED BY: AJG | DRAWN BY: DKC | APPROVED BY: AJG |
| DATE: 11/92 | DRAWING No. 0590B-A507 | REVISED: 2/15/94 |
| SHEET 1 OF 1 | JOB No. WO-0590 | BK.WO-09 PG.9-10 |

SCALE: 1" = 660'