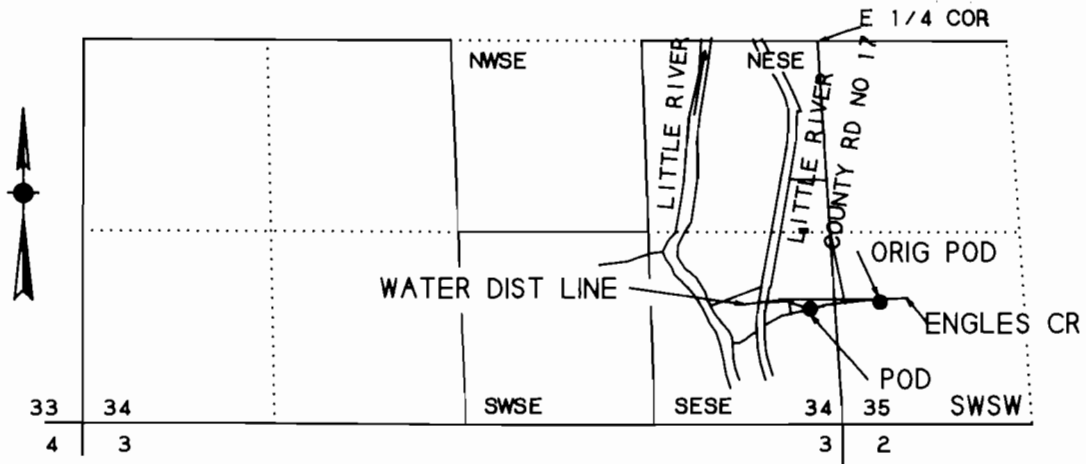
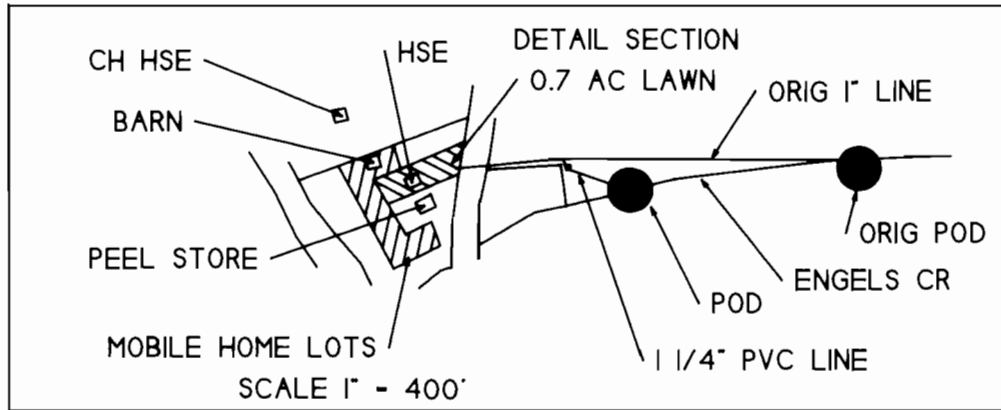


T26S, R3W, W1M

SCALE 1" = 1320'



ORIGINAL POD IS 830 FT N AND 250 E FROM SE COR SEC 34
 POD IS 800 FT N AND 230 W FROM SE COR SEC 34



FINAL PROOF SURVEY

UNDER

PERMIT NO 15488 CERTIFICATE NO 17278

IN NAME OF

MARVIN H GIBSON

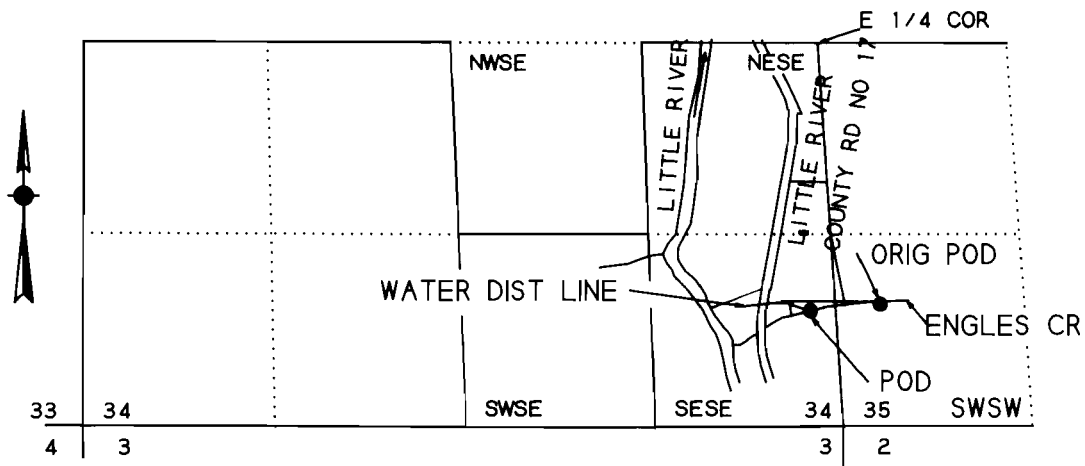
Surveyed September 5, 1991 By M E Farr



9-91

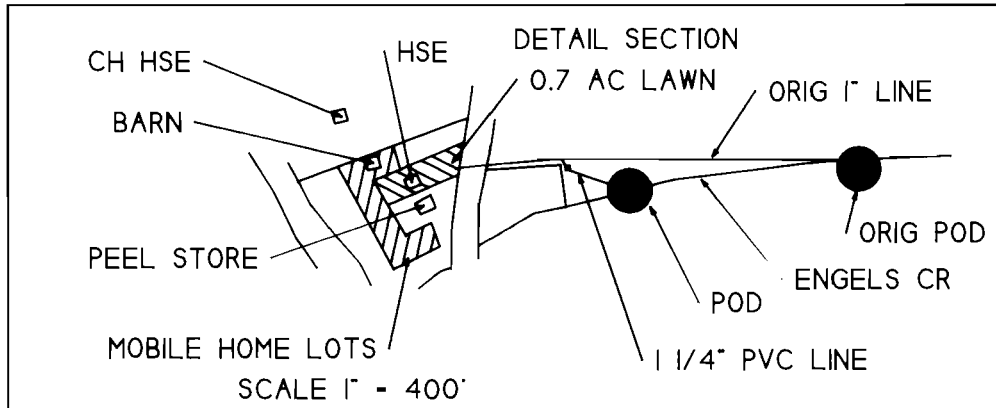
T. 26S. R3W. W. 1

SCALE 1" = 1320'



ORIGINAL POD IS 830 FT N AND 250 E FROM SE COR SEC 34

POD IS 800 FT N AND 230 W FROM SE COR SEC 34



VESTED WATER RIGHT MAP

PRE-1909 CLAIM OF BENEFICIAL USE

PERMIT NO 15488 CERTIFICATE NO 17278

IN NAME OF
MARVIN H GIBSON

Surveyed September 5, 1991 By M E Farr

THIS IS A LOCATION MAP FOR A VESTED WATER RIGHT BY MARVIN H GIBSON. THIS MAP IS FOR THE PURPOSE OF IDENTIFYING THE LOCATION OF THE VESTED WATER RIGHT ONLY AND IS NOT INTENDED TO PROVIDE LEGAL DIMENSIONS OR LOCATIONS OF PROPERTY LINES.



692