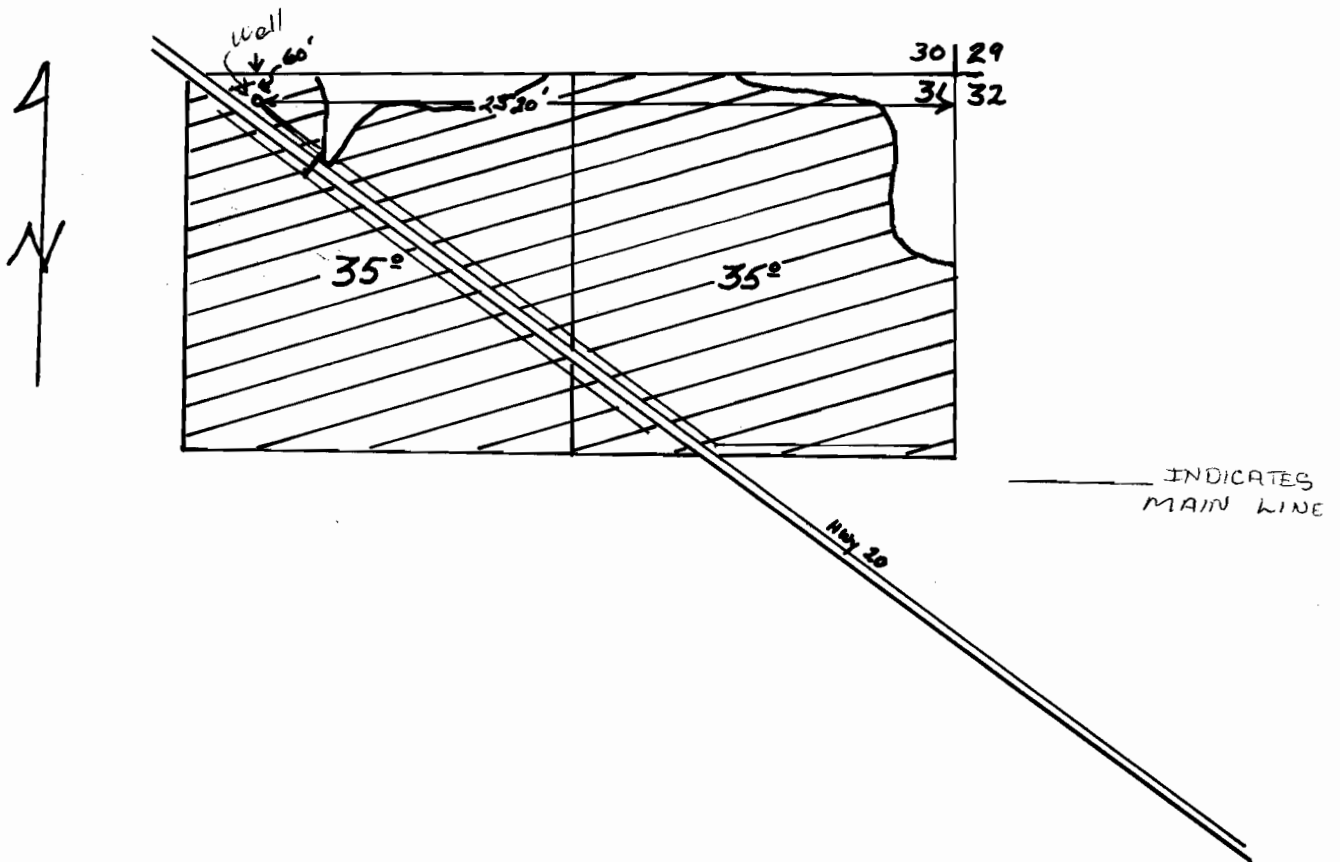


T. 15 S., R. 11 E., W.M.

8" = 1 mile



Application for Ben Degastano
Ben. De Maestans

RECEIVED
JAN 1 6 1985
WATER RESOURCES DEPT.
SALEM, OREGON

Application No. *D-11339*
Permit No. **G10624**