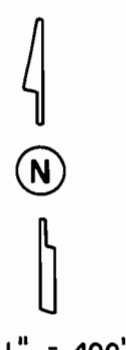
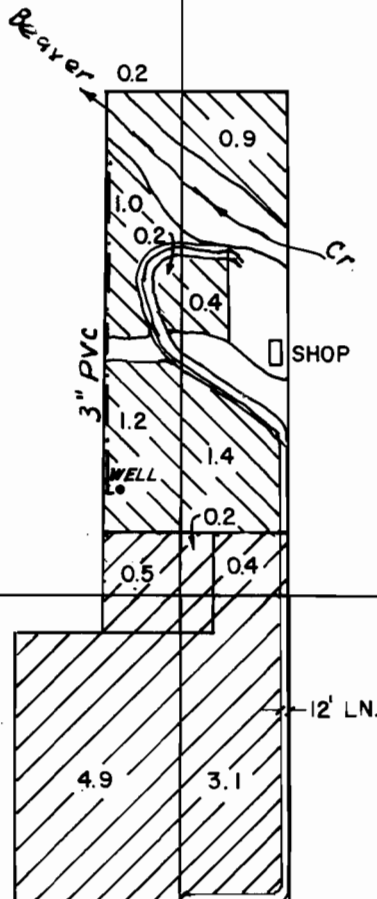


T. 8 S. R. 1 W., W.M.

27

PHILIP GLOVER D.L.C. NO. 65

CASCADE HWY.





TRIUMPH RD. S.E.

BRASS CAP, S.E. CORNER
PHILIP GLOVER D.L.C. NO. 65

WELL LOC. 1330' N. & 1200' E. FROM S.E. COR. PHILIP GLOVER D.L.C. NO. 65

27 26
34 35

-  IRRIG. FROM THIS WELL
-  IRRIG. FROM SCHUMACHER WELL

FINAL PROOF SURVEY
FOR
GUY M. BARTH
SURVEYED ON JUNE 27, 1994

THIS MAP WAS PREPARED FOR THE PURPOSE OF IDENTIFYING THE LOCATION OF A WATER RIGHT ONLY AND IS NOT INTENDED TO PROVIDE LEGAL DIMENSIONS OR LOCATION OF PROPERTY OWNERSHIP LINES.

