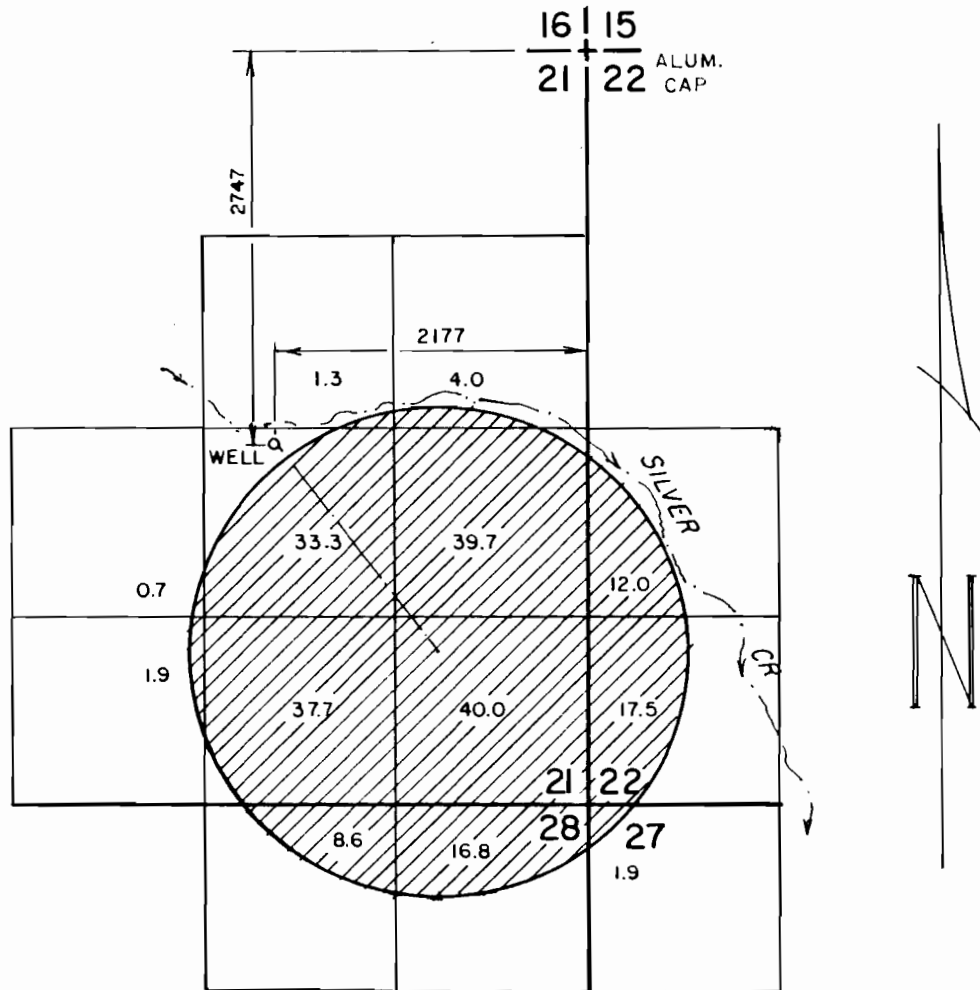


T 25 S, R 28 E, WM



TO
CWN

FINAL PROOF SURVEY

UNDER
APPLICATION NO. G-12174
PERMIT NO. G-11195

IN THE NAME OF
GIRARD & COLEEN
PERKINS

Scale: 4" = 1 MILE

Date: SEPT. 1994

Job: 1157-94

Dsn:

Drn: CHRIS

Ckd:



M. A. PALMER & SONS, INC.
ENGINEERING & SURVEYING
254 N. Alder - Box 61
Burns, Oregon 97720

Sht. No.

of 1

Chris Palmer