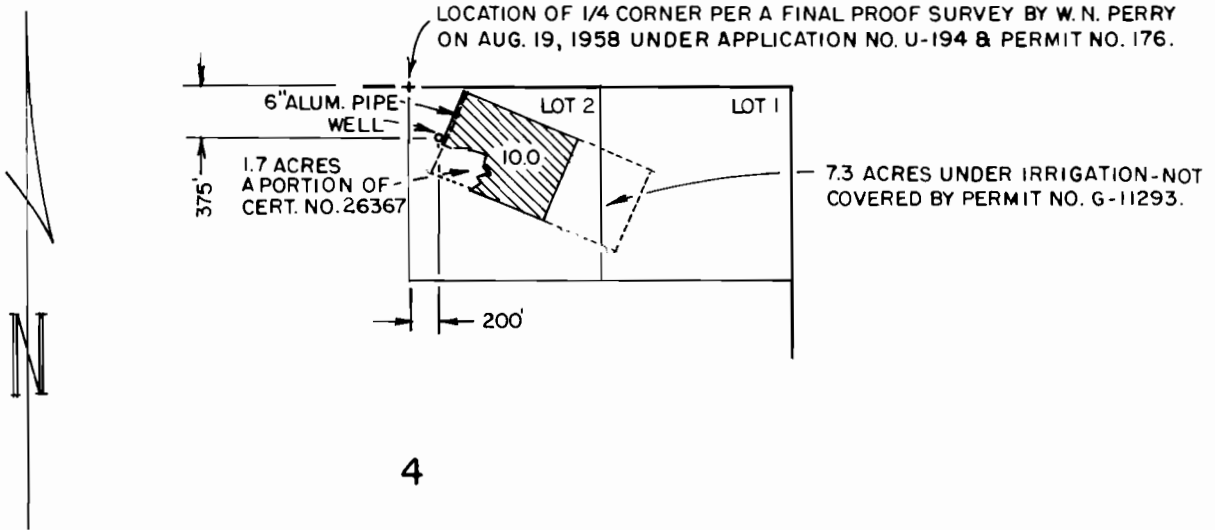


T 20 S, R 36 E, WM



THE PURPOSE OF THIS MAP IS TO IDENTIFY THE LOCATION OF THE WELL AND IRRIGATION CANALS TO PROVIDE A CLEAR RELATIVE TO THE LOCATION OF PROPERTY OWNERS.

RECEIVED

SEP 20 1995
 M. A. PALMER & SONS, INC.
 254 N. Alder - Box 61
 Burns, Oregon 97720

	FINAL PROOF SURVEY		
	UNDER APPLICATION NO. G-12204 PERMIT NO. G-11293		IN THE NAME OF TOM N. TURNER
	Scale: 4" = 1 MILE	Date: SEPT. 1995	Job: 1228
	Dsn:	M. A. PALMER & SONS, INC. ENGINEERING & SURVEYING 254 N. Alder - Box 61 Burns, Oregon 97720	Sht. No.
Drn: CHRIS	of <u>1</u>		
Ckd:			