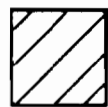
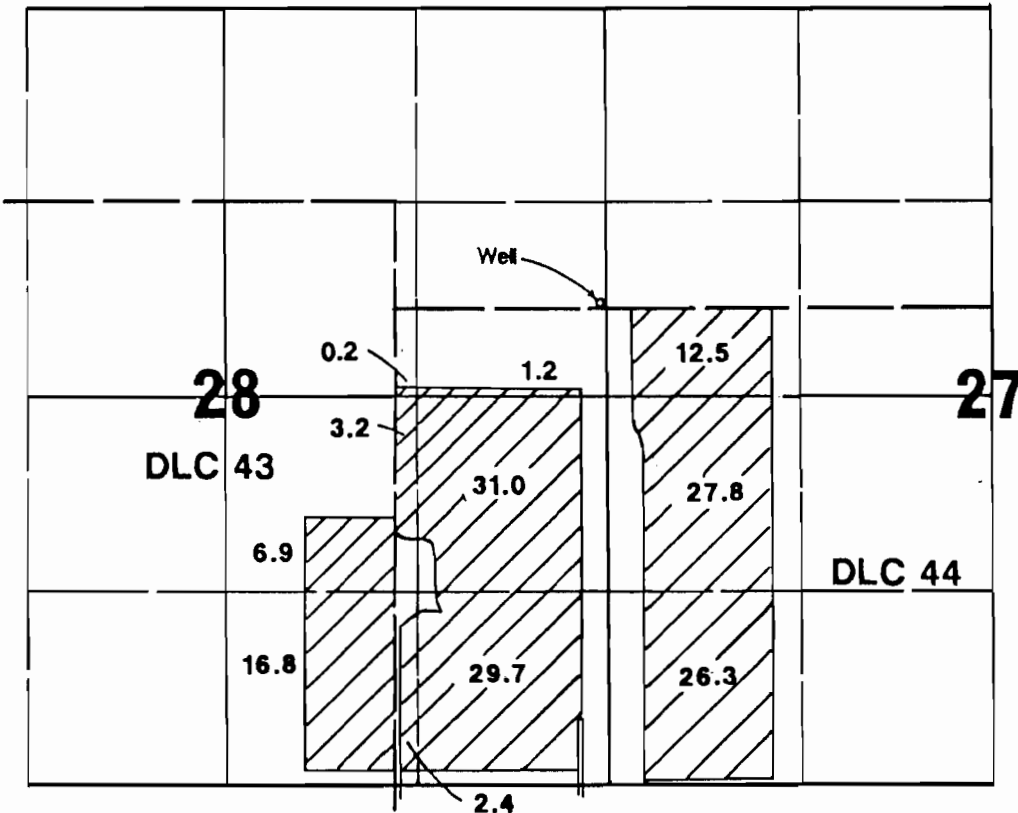


RECEIVED

T.6S., R.1W., W.M.



Area Irrigated

WELL LOCATED 175'S & 25'W FROM NE CORNER SECTION 28.

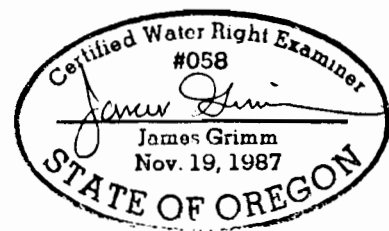
### Final Proof Survey

Application #: G-12434    Permit #: G-11434

In Name Of

## Robert E. Roth

Surveyed on May 20, 1995 by James Grimm



THIS MAP WAS PREPARED FOR THE PURPOSE OF IDENTIFYING THE LOCATION OF A WATER RIGHT ONLY AND IS NOT INTENDED TO PROVIDE LEGAL DIMENSIONS OR LOCATION OF PROPERTY OWNERSHIP LINES.