

CLAIM OF BENEFICIAL USE FINAL PROOF MAP
 Located in SW $\frac{1}{4}$ NE $\frac{1}{4}$ & SE $\frac{1}{4}$ NW $\frac{1}{4}$ of Section 14,
 Township 30 South, Range 15 West, W.M.
 Coos County, Oregon
 Application G-12693 Permit G-11552

Prepared For: Thomas C. & Virginia R. Forgatsch
 Prepared By: Dennis Goude
 Date Prepared: December 16, 2003

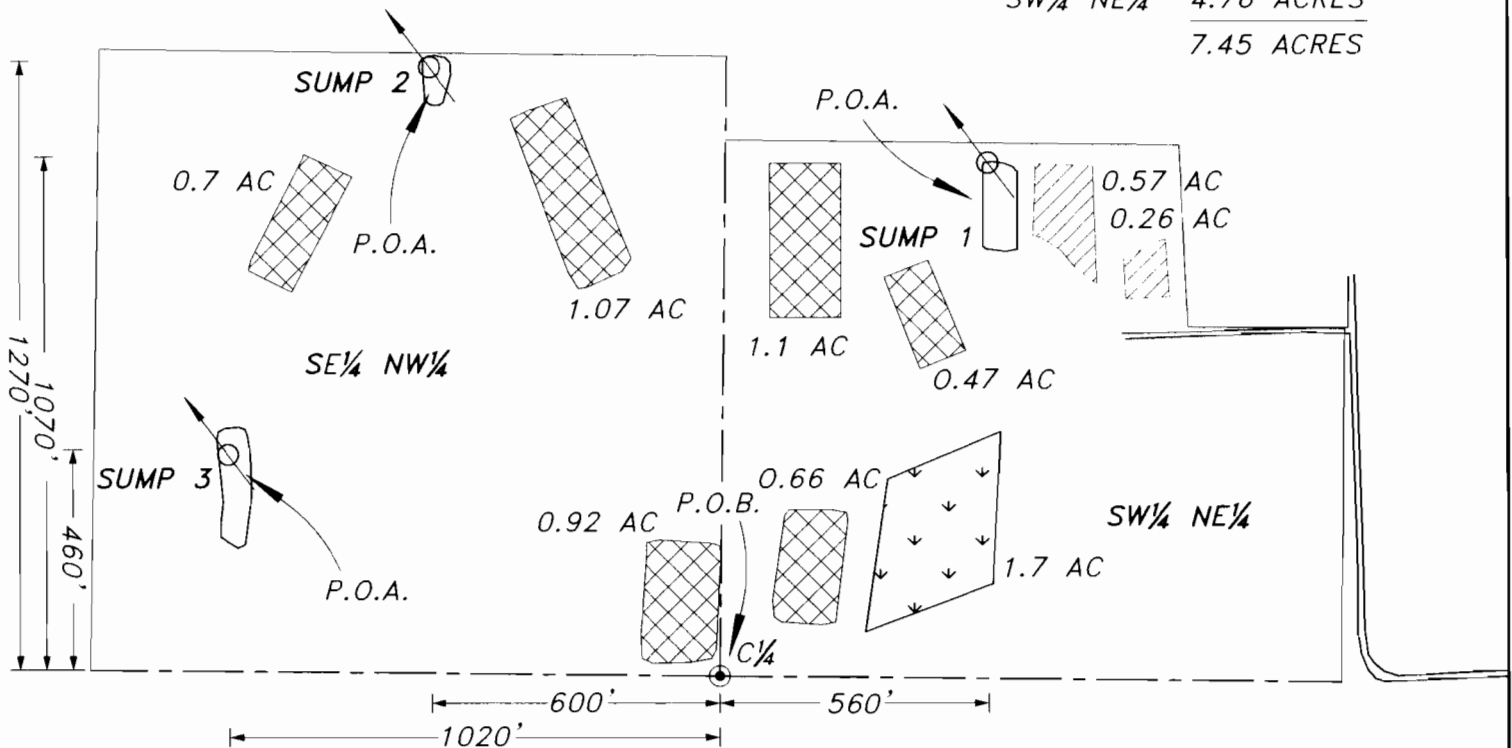


EXPIRES 06/30/2004

Scale 1"=400'

NOTE:
 THE POINTS OF APPROPRIATION ARE LOCATED FROM THE C $\frac{1}{4}$ OF SECTION 14. SUMP #1 IS 560 FEET EAST AND 1070 FEET NORTH. SUMP #2 IS 600 FEET WEST AND 1270 NORTH. SUMP #3 IS 1020 FEET WEST AND 460 FEET NORTH.

NOTE:
 IRRIGATED ACREAGE:
 SE $\frac{1}{4}$ NW $\frac{1}{4}$ 2.69 ACRES
 SW $\frac{1}{4}$ NE $\frac{1}{4}$ 4.76 ACRES
 7.45 ACRES



EXAMINERS DISCLAIMER STATEMENT

The preparation of this map was for the purpose of identifying the location of the Water Right only and has no intent to provide dimensions or location of property ownership lines.

LEGEND

- P.O.B.
- P.O.A.
- CRANBERRY BOGS 4.92 ACRES
- BLUEBERRIES 0.83 ACRES
- PASTURE 1.7 ACRES

Stuntzner Engineering

& Forestry, L.L.C.

ENGINEERING • LAND SURVEYING • FORESTRY
 PLANNING • WATER RIGHTS

705 South 4th St.
 Post Office Box 118
 Coos Bay, Oregon 97420

Phone: (541) 267-2872
 Fax: (541) 267-0588