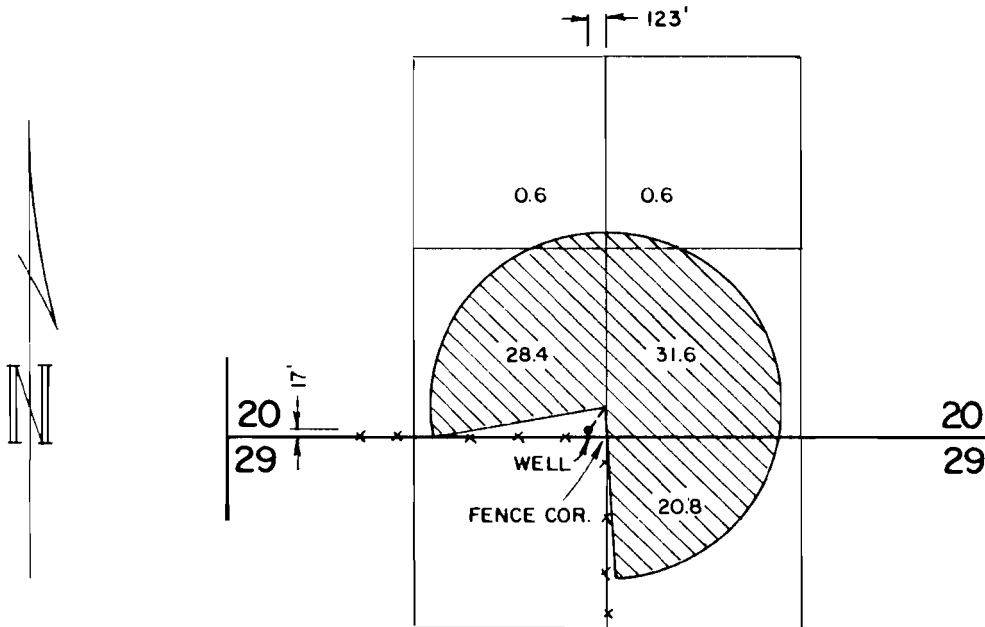


T 26 S, R 34 E, WM



RECEIVED

MAY 3 1995

WATER RESOURCES DEPT
SALEM, OR

THE PURPOSE OF THIS MAP IS TO IDENTIFY THE LOCATION OF THE WATER WELL. IT IS NOT INTENDED TO PROVIDE INFORMATION RELATIVE TO THE LOCATION OF PROPERTY OWNERSHIP.

FINAL PROOF SURVEY

UNDER
APPLICATION NO. G-12817
PERMIT NO. G-11679

IN THE NAME OF
NEVIN AND SHIRLEY M.
THOMPSON

Scale: 4" = 1 MILE

Date: APRIL 1996

Job: 1157-96

Dgn:

MAP'S

M. A. PALMER & SONS, INC.
ENGINEERING & SURVEYING
254 N. Alder - Box 61
Burns, Oregon 97720

Sht. No.

Drn: CHRIS

of 1

Ckd:

