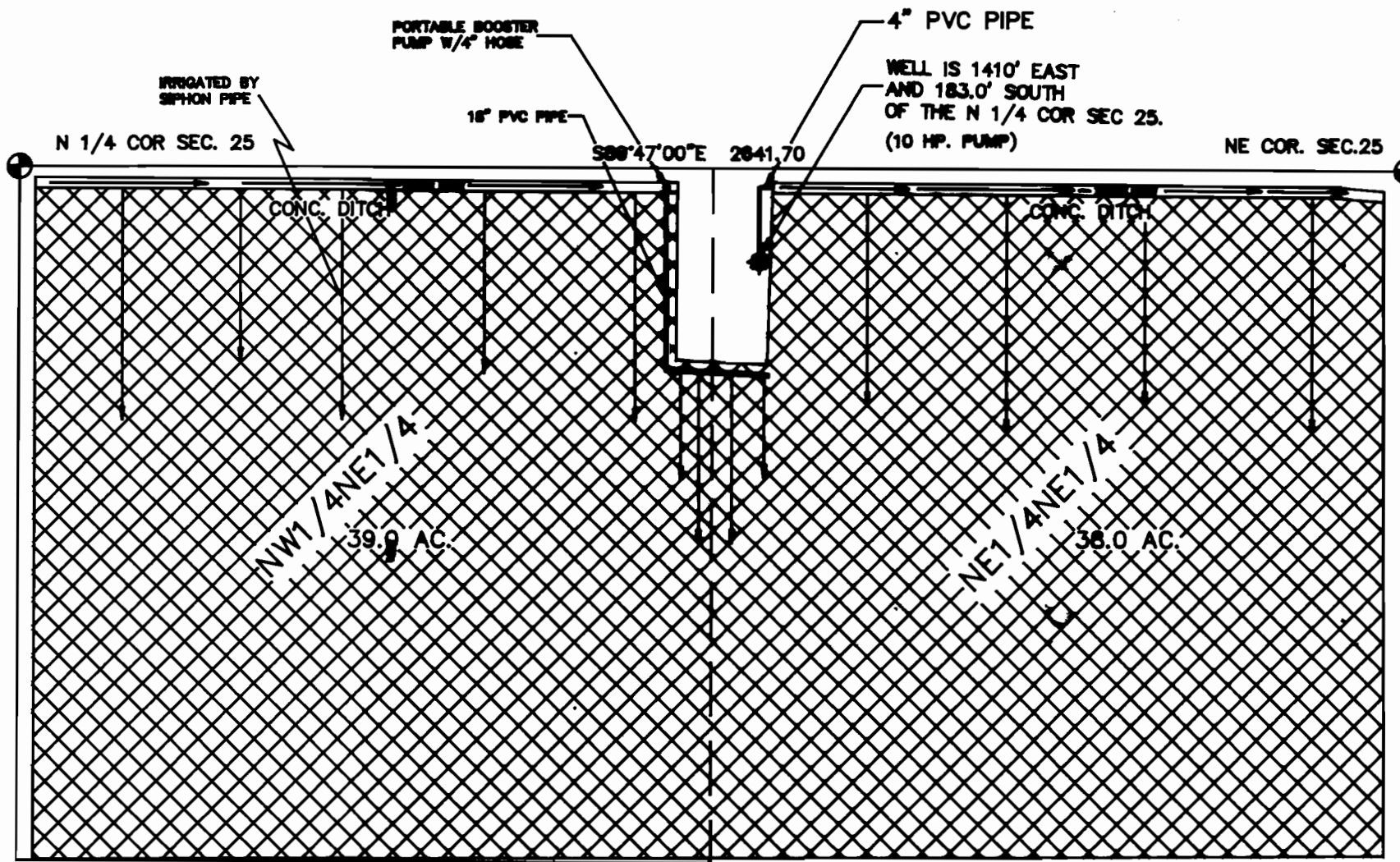


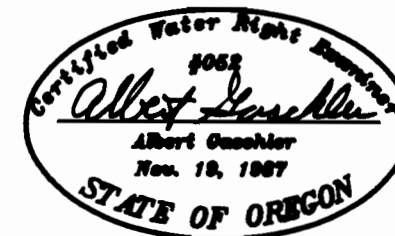
FINAL PROOF

TAX LOT No. 18-43-D 400
SEC. 25, Twp.18S., R.43E., W.M.



DISCLAIMER

I, ALBERT GASCHLER, HEREBY CERTIFY: THAT THIS MAP WAS MADE TO BE A PART OF THE APPLICATION FOR A FINAL PROOF OF PERMIT No. G-11695. SECTIONAL LINES SHOWN ARE APPROXIMATE AND THIS MAP IS NOT INTENDED FOR ANY OTHER USE AND DOES NOT GUARANTEE LAND OWNERSHIP.




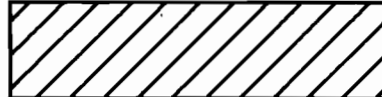



CERTIFICATE EXPIRES : 6-30-95

APPLICATION No.: G-12534

PERMIT No.: G-11695

EXISTING PERMITS : VALE, OREGON IRRIGATION DISTRICT, PERMIT # 46251

LEGEND

- GOVERNMENT CORNER 
- EXISTING WATER RIGHT 
- SUPPLEMENTAL RIGHT 
- CONC. LINED DITCH 
- WELL 



SCALE: 1" = 300'

WATER RIGHTS EXAMINERS FINAL PROOF MAP
FOR : MIKE BARNARD
GASCHLER & CUMMINGS
CIVIL ENGINEERING - LAND SURVEYING - WATER RIGHTS
P.O.BOX 412 / 786 SUNSET DR., 889-2101, ONTARIO, OREGON

CHECKED BY: *AG* DRAWN BY: BOB JR. APPROVED BY: *AG*

DATE: 4-04-95 DRAWING No. WO2095 A-567 REVISED:

SHEET / OF / JOB No. WO-2095 REF: WO-2491