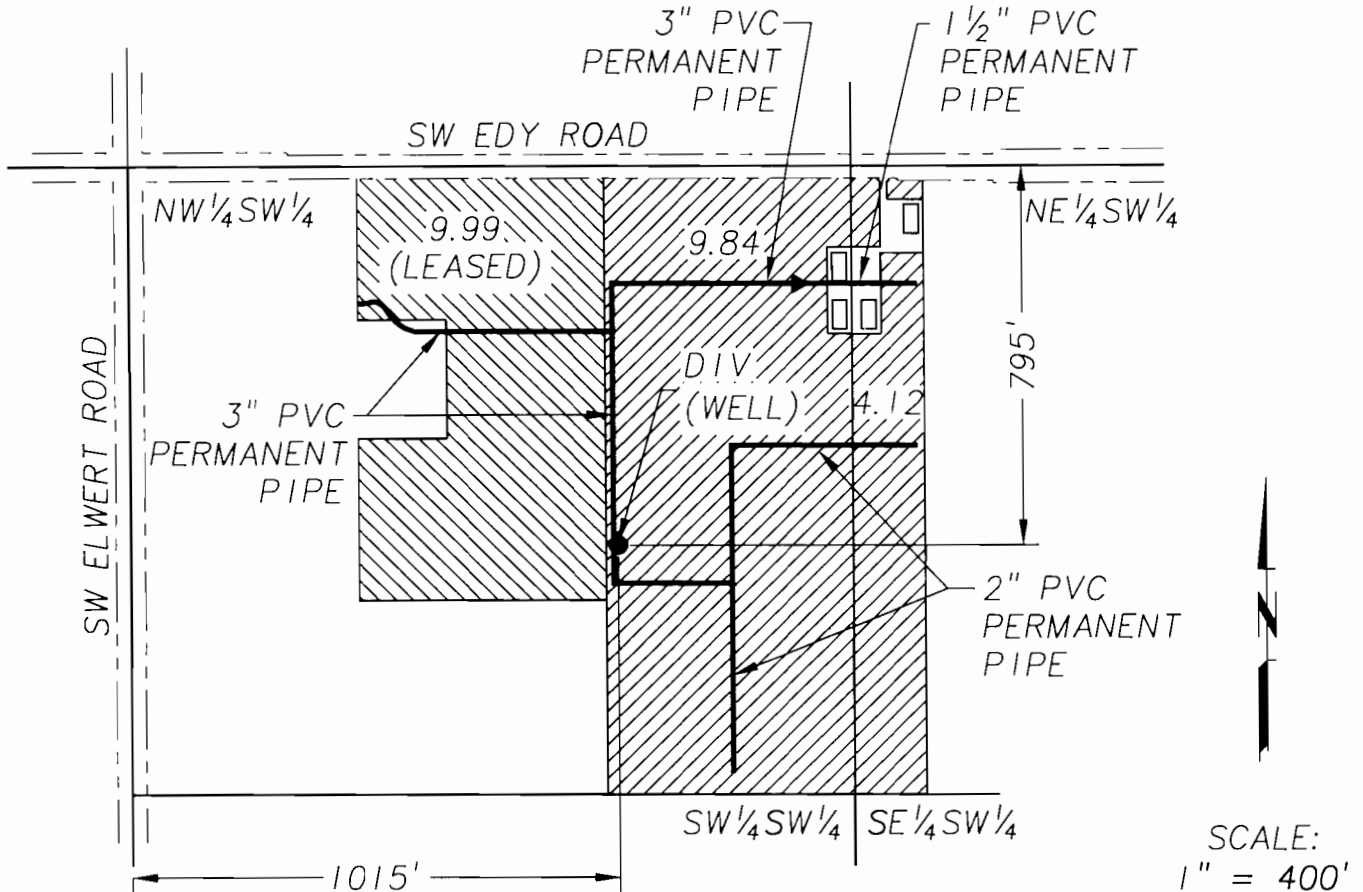


RECEIVED

JAN 22 1998

WATER RESOURCES DEPT.
SALMON, OREGON

T.2S., R. 1 W., W.M.
SECTION 30



FINAL PROOF SURVEY

UNDER APPLICATION NO. G-12586 PERMIT NO. G-11787

IN THE NAME OF
WALTER W. LABAHN
Sherwood, Oregon
JANUARY 20, 1998



NOTE: This map is for the purpose of identifying the location of the water right only and is not intended to provide legal dimensions or locations of property lines.