

T1S., R4W., W.M.

RECEIVED

NOV 13 1996

WATER RESOURCES DEPT.
SALEM, OREGON

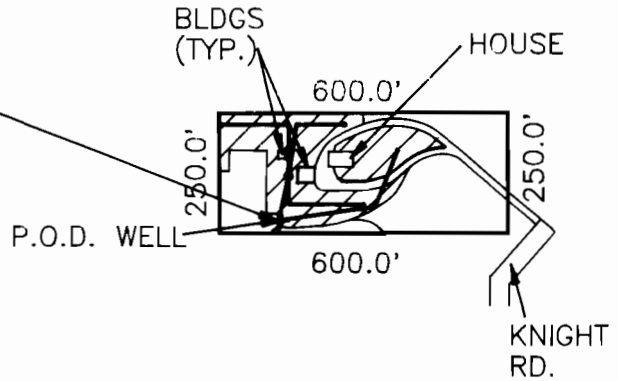
10 | 11

15 | 14

NW 1/4 NW 1/4

NE 1/4 NW 1/4

POINT OF DIVERSION
S68°50'49"E 2067.98'
FROM THE NW CORNER
OF SECT. 14, T1S, R4W, W.M.



HATCHED AREA INDICATES ACRES IRRIGATED

1.39 AC. TOTAL

0.00174 CFS =
DUTY OF WATER
= 7.8 G.P.M.

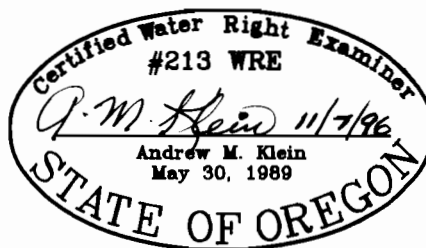
FINAL PROOF SURVEY

UNDER

Application No. G-13022 Permit No. G-11903

IN NAME OF
CLARA J. FUITEN

Surveyed NOVEMBER 1, 1996, by A.M. KLEIN



SCALE: 1" = 400'



EXPIRES 06/30/97

THIS MAP IS FOR THE PURPOSE
OF IDENTIFYING THE LOCATION OF
THE WATER RIGHT ONLY AND IS
NOT INTENDED TO PROVIDE LEGAL
DIMENSIONS OR THE LOCATION
OF PROPERTY OWNERSHIP LINES.